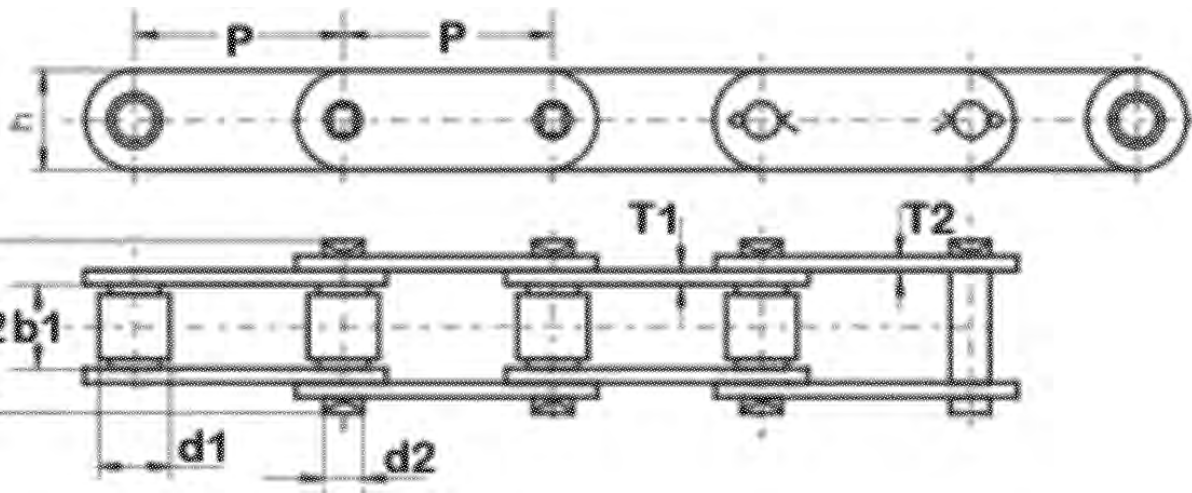
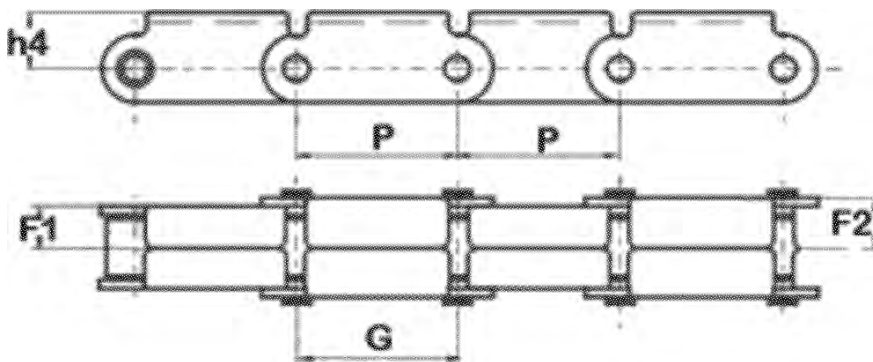


Lumber Conveyor Chain



Chain	Pitch	b1	d1	h1	T1	T2	d2	b2	U.T.S KN	A.T.S KN	Kg/ft
81X	66.27	26.99	23.02	28.6	4.0	4.0	11.1	49.0	106.70	128.04	1.11
81XH	66.27	26.99	23.02	31.4	7.5	5.6	11.1	59.2	152.00	182.40	1.70

Roof Top Chain



Chain	Pitch	F1	F2	G	h4
81X RT	66.27	17.5	21.8	56.0	25.4