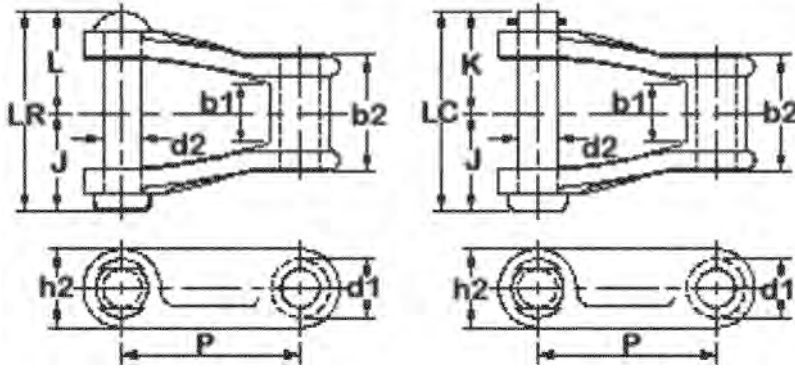
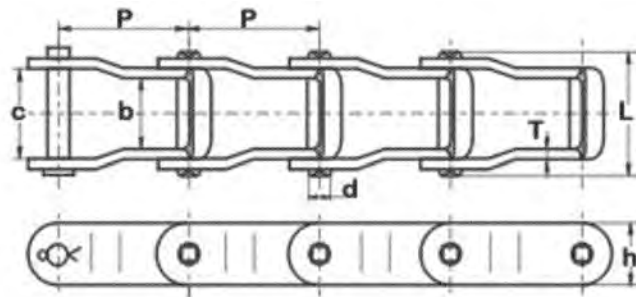


Pintle Chain "H"



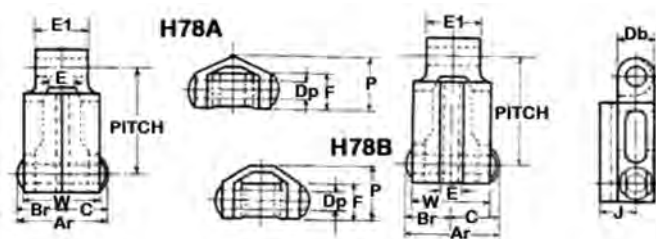
Chain	Pitch mm	Pitch inch	b1	Lr	Lc	h2	d1	J	K	L	b2	App. Kg/ft
H78	66.26	2.609	28.57	80.94	84.12	28.57	22.22	39.67	41.27	41.27	47.62	1.91

Steel Pintle Chain



Chain	Pitch	c	b	h	T	d	L	U.T.S KN	A.T.S KN	Kg/ft
662	42.27	30.50	23.20	18.30	3.2	7.16	41.3	37.80	45.360	0.49
667K	57.15	39.20	27.80	26.80	5.1	11.10	55.5	88.90	106.68	1.10
88K	66.27	39.20	27.80	26.80	5.1	11.10	55.55	88.90	106.68	1.08

Timber Transfer Chain



Chain	Pitch mm	Pitch inch	Ar	Br	C	Db	Dp	E	E1	F	J	P	W	Rated Working Load Lbs	A.T.S Lbs	App Kg/ft
H78A	66.26	2.609	95.25	41.27	39.67	22.22	12.7	28.57	47.62	25.4	28.57	42.84	71.42	2,820	20,800	2.31
H78B																