

SECTION 2

Solenoid Directional Control Valves

<i>Make</i>	<i>Model</i>	<i>Page</i>
LC	Spool Types	2.01
LC	Cetop 2 Valves	2.02
LC	Cetop 3 Valves	2.03~2.04
Continental	Proportional Directional Control Valves	2.05
Eurofluid	Cetop 3 Base Plates	2.06~2.07
Eurofluid	Cetop 3 Manifolds	2.08
HMA	Cetop 3 Manifolds	2.09
Hyteco	Cetop 3 Manifolds	2.10
LC	Cetop 5 Valves	2.11~2.12
Eurofluid	Cetop 5 Base Plates	2.13~2.16
HMA	Cetop 5 Manifolds	2.17
Hyteco	Cetop 5 Manifolds	2.18
LC	Auto Cycle Valves	2.19
LC	Sandwich Valves	2.19
LC	Cetop 7 Valves	2.20
Continental	Cetop 8 Valves	2.21
LC	Solenoid Selector Valves	2.22~2.23
Hydrocontrol	Solenoid Selector Valves	2.23~2.25
Made In Italy	ELFB Series Selector Valves	2.25
LC	Electrical Connectors	2.26
LC	Standard Bolt Kits	2.26
LC	Cobra	2.27





LC CETOP Valves

Spool Types

2

New Code	Old Code	Circuit	Oil direction during shift	New Code	Old Code	Circuit	Oil direction during shift
Y301	A11C			A201	A2		
X301	A11A			B201	B2		
N301	N11C			C201	C2		
B301	B11C			D201	D2		
C301	C11A			E201	E2		
A301	A11S			E2R1	ER		
E301	E11C			F201	F2		
A361	A14S			G209	H2		
B361	B14C			G201	G2		
C361	C14A			K201	2K		
D301	D11C			K209	R2		
D361	D14C			U201	U2		
E361	E14C						
U369	U11C						
T301	T11C						
T361	T13C						
Y401	A12C			M201	M2C		
X401	A12A			L201	M2A		
N401	N12C			N201	N2		
B471	B12C						
B401	B13C						
A401	A12S						
E401	E12C						
A471	A13S						
C471	C12A						
C401	C13A			M501	M2C/D		
D471	D12C			L501	M2A/D		
D401	D13C			N501	N2/D		
E471	E13C						
T409	T12C						
T479	T14C						



LC04Z

Cetop 2 Solenoid Operated Directional Control Valves

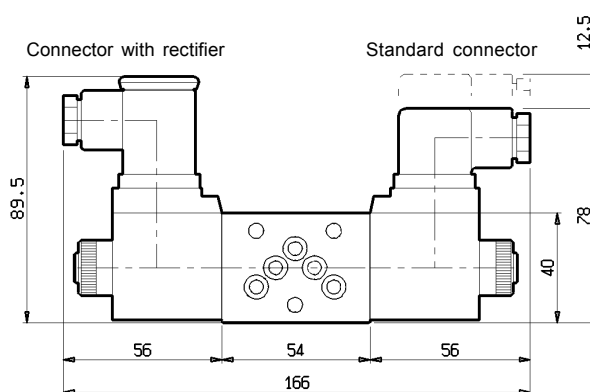
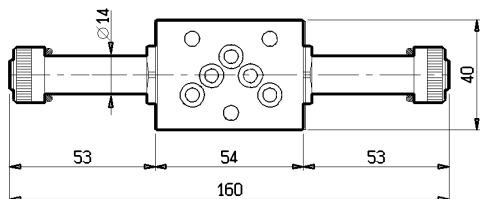
Max. Flow 25 l/min - Max. Operating Pressure 310 bar
 Max. Tank Line Pressure: Dynamic = 180 bar - Static = 210 bar

2

Stock No.	Symbol	Description	List Price
LC04ZA11A**		Single Solenoid - Spring Offset - 2 Position - 4 Way P to A, B to T in Neutral	
LC04ZA2**		Double Solenoid, Spring Centred - 3 Position - 4 Way P to T, A & B Blocked in Neutral	
LC04ZB2**		Double Solenoid, Spring Centred P, T, A & B Blocked in Neutral	

** Substitute for voltage required (eg 12VDC). Note: All valves include standard bolt kit and DIN connectors for each coil.

Standard Voltages
12V DC
24V DC
207V DC
110V-50Hz AC
240V-50Hz AC



Cetop 2 Subplates

Stock No.	Ports	Description	List Price
PA0202009	1/4" BSPP	A-B-P-T Rear Ports	
PA02024092V	1/4" BSPP	A-B Lateral Ports, P-T Rear Ports c/w Relief Valve	

Modular (Sandwich) Valve

Stock No.	Symbol	Description	Cetop *	Flow	Pressure	List Price
LC04VRAB		Pilot Check A & B	CETOP 2	20 LPM	310 BAR	



LC1

Cetop 3 Solenoid Operated Directional Control Valves

AC - Max. Flow 60 l/min - Max. Operating Pressure 250 bar
Max. Tank Line Pressure: Dynamic = 160 bar - Static = 180 bar
DC - Max. Flow 70 l/min - Max. Operating Pressure 310 bar
Max. Tank Line Pressure: Dynamic = 250 bar - Static = 310 bar

2

Stock No.	Symbol	Description	List Price
LC1A11A**		Single Solenoid - Spring Offset - 2 Position - 4 Way P to A, B to T in Neutral	
LC1A2**		Double Solenoid, Spring Centred - 3 Position - 4 Way P to T, A & B Blocked in Neutral	
LC1B2**		Double Solenoid, Spring Centred P, T, A & B Blocked in Neutral	
LC1C2**		Double Solenoid, Spring Centred P, A & B Open to T in Neutral	
LC1E2**		Double Solenoid, Spring Centred P Blocked, A & B open to T in Neutral	
LC1M2A**		Double Solenoid, No Springs, Detented P to A, B to T in Neutral	

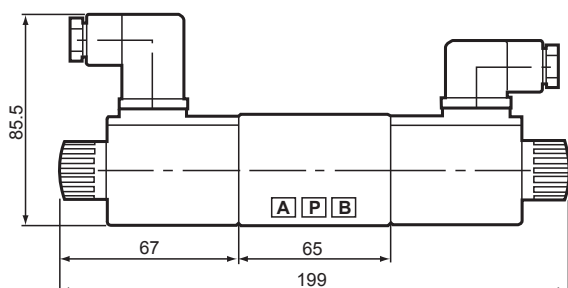
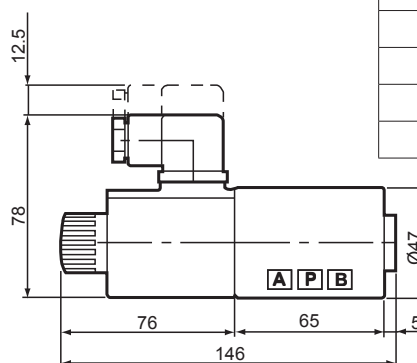
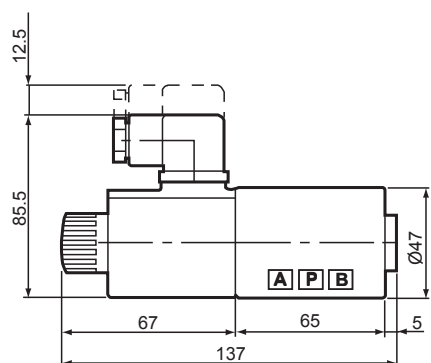
** Substitute for voltage required (eg 12VDC). Note: All valves include standard bolt kit and DIN connectors for each coil.

Soft Switching Option

Stock No.	Symbol	Description	List Price
LC1XS****		Double Solenoid Valve c/w 'XS' Soft Switching Max. Flow 25 l/min (eg. LC1XS-A2-12VDC)	

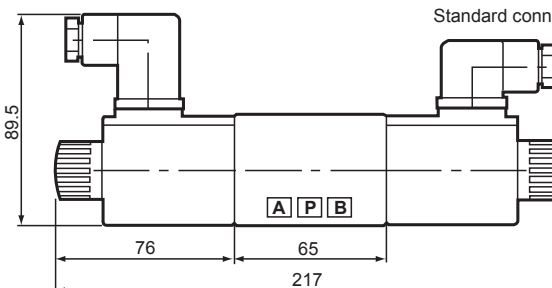
**** Substitute for spool type and voltage required. Note: All valves include standard bolt kit and DIN connectors for each coil.

Standard Voltages
12V DC
24V DC
207V DC
110V-50Hz AC
240V-50Hz AC



Connector with rectifier

Standard connector





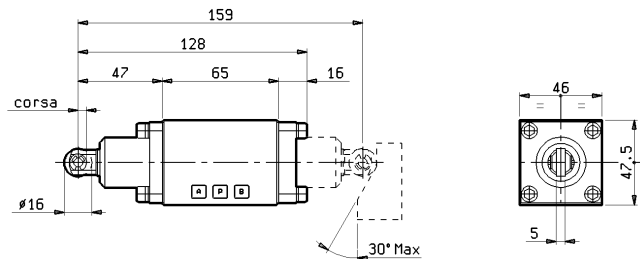
LC1

Cetop 3 Directional Control Valves

Cam Operated - Max. flow 70 l/min, max. pressure 310 bar, max. tank line back pressure 70 bar)

Stock No.	Symbol	Description	List Price
LC1**1C		Spring Offset, single cam operated (eg. LC1A11A1C)	
LC1**2C		No spring, double cam operated (eg. LC1M2A2C)	

** Substitute for spool type. Note: All valves include standard bolt kit.

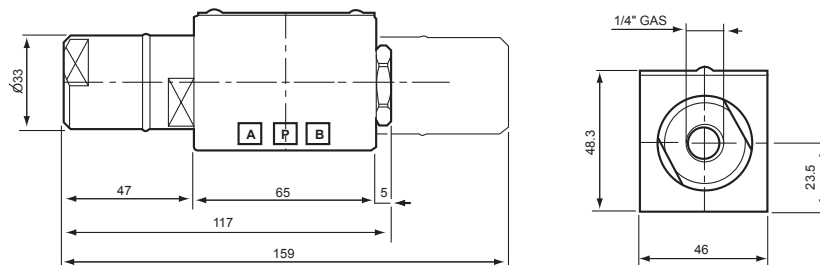


Air/Oil Pilot Operated - (Max. flow 70 l/min, max. pressure 310 bar, max. tank line back press. 200 bar)

Stock No.	Symbol	Description	List Price
LC1**1P		Spring offset, single pilot operated (eg. LC1A11A1P)	
LC1**2P		Spring centred, double pilot operated (eg. LC1A22P)	
LC1**2PD		Spring centred with detents, double pilot operated (eg. LC1A22PD)	

** Substitute for spool type. Note: All valves include standard bolt kit.

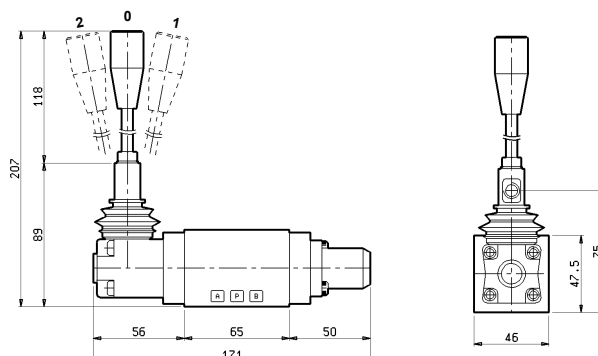
Pilot Pressure
4 to 200 bar



Lever Operated - Max. flow 70 l/min, max. pressure 310 bar, max. tank line back pressure 100 bar)

Stock No.	Symbol	Description	List Price
LC1L**M		Spring centred, lever operated (eg. LC1LA23M)	
LC1L**F		Detented, lever operated (eg. LC1LA11A2F)	

** Substitute for spool type. Note: All valves include standard bolt kit.





VEDO3M

CETOP 3 Proportional Directional Control Valves

Max. Flow 26 lpm, Max. Operating Pressure 345 Bar
Max. Tank Line Pressure: Dynamic = 207 Bar, Static = 207 Bar

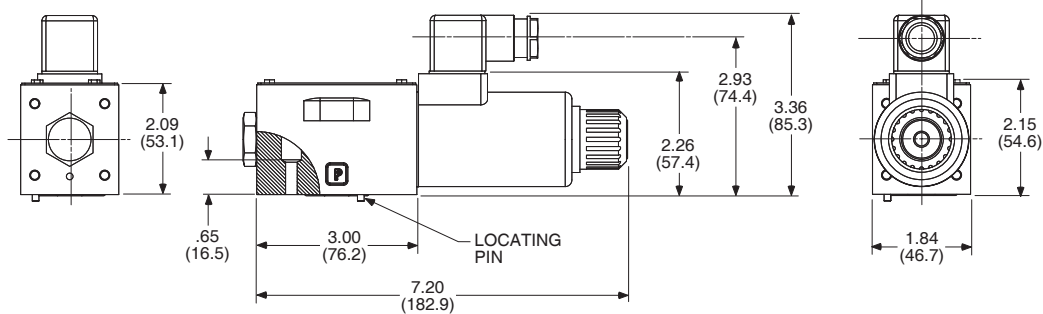
2

Stock No.	Symbol	Spool Flow Rate Code	Nominal Flow gpm (lpm)	Description	List Price
VEDO3M3AC**		26	7.0 (26)	Double Solenoid - Spring Centred - 3 Position 4 Way P,T,A & B blocked in neutral, meter in & out	
		21	5.5 (21)		
		16	4.2 (16)		
		09	2.4 (9)		
		03	0.8 (3)		
VEDO3M3AI**		31	8.2 (31)	Double Solenoid - Spring Centred - 3 Position 4 Way P,T,A & B blocked in neutral, meter in	
		25	6.5 (25)		
		20	5.2 (20)		
		15	4.0 (15)		
		05	1.3 (5)		
VEDO3M3AO**		31	8.2 (31)	Double Solenoid - Spring Centred - 3 Position 4 Way P,T,A & B blocked in neutral, meter out	
		25	6.5 (25)		
		20	5.2 (20)		
		15	4.0 (15)		
		05	1.3 (5)		
VEDO3M3FC**		26	7.0 (26)	Double Solenoid - Spring Centred - 3 Position 4 Way P blocked, A & B open to T, meter in & out	
		21	5.5 (21)		
		16	4.2 (16)		
		09	2.4 (9)		
		03	0.8 (3)		
VEDO3M3FI**		31	8.2 (31)	Double Solenoid - Spring Centred - 3 Position 4 Way P blocked, A & B open to T, meter in	
		25	6.5 (25)		
		20	5.2 (20)		
		15	4.0 (15)		
		05	1.3 (5)		

** Substitute for Spool Flow Rate Code and voltage. Standard voltages: 12V DC, 24V DC.

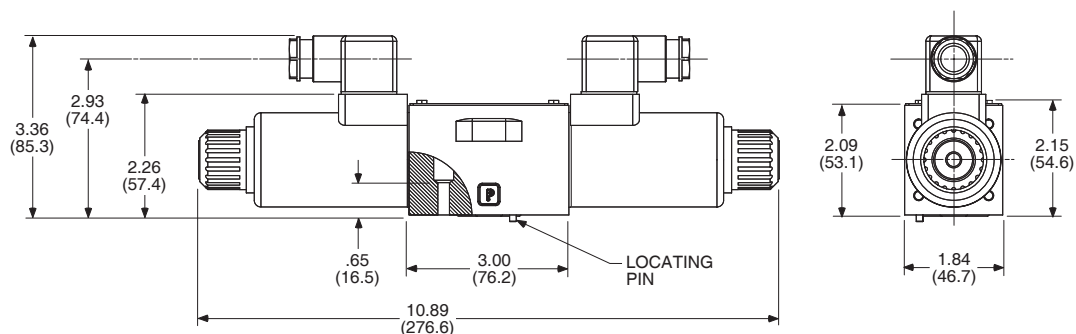
Dimensions shown in: Inches (millimeters)

Single Solenoid



NOTE: Valve mounting bolts torque: 4 - 5 lbs.-ft. (5.4 Nm - 6.8 Nm).

Double Solenoid

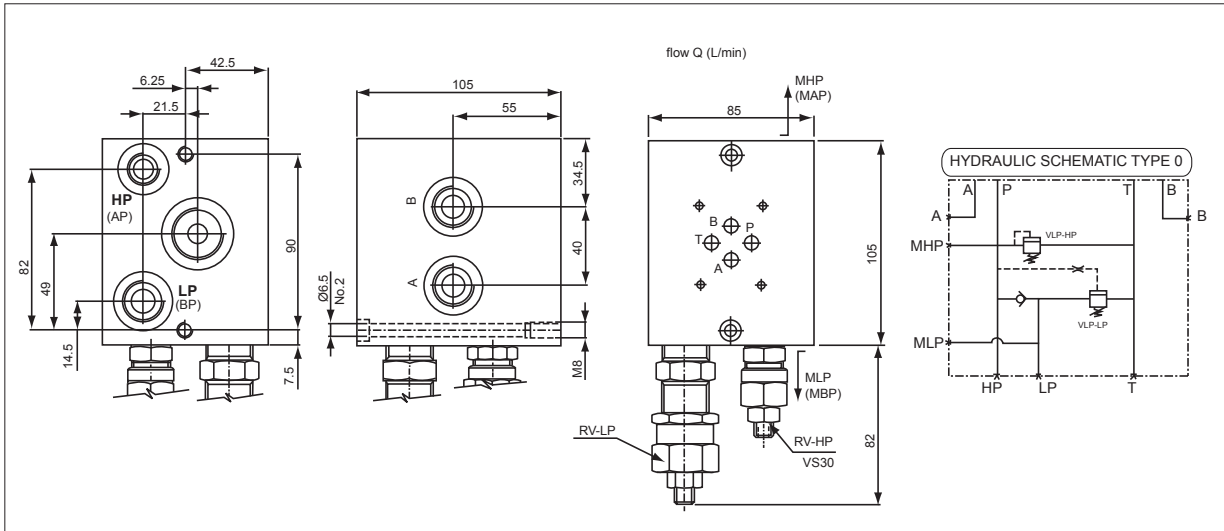




Cetop 3 Base Plates

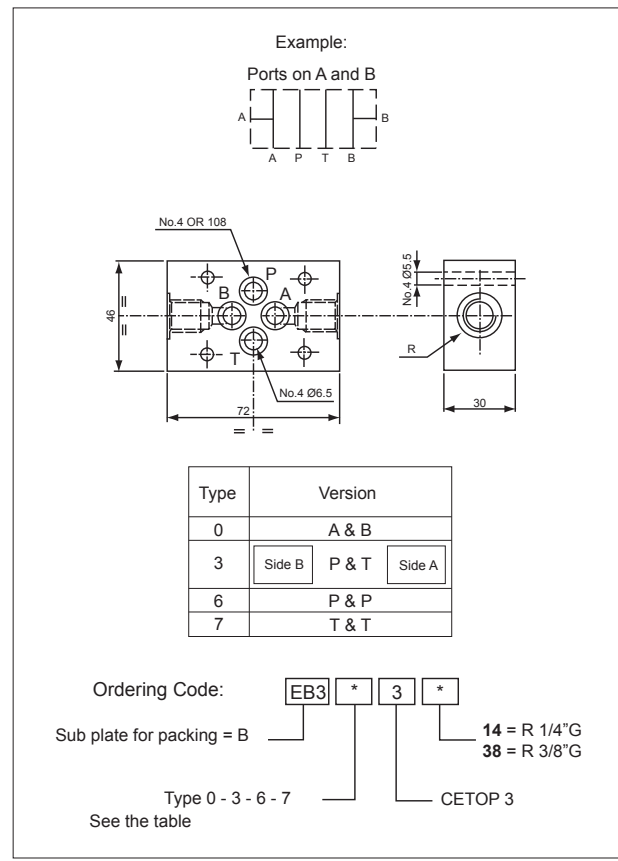
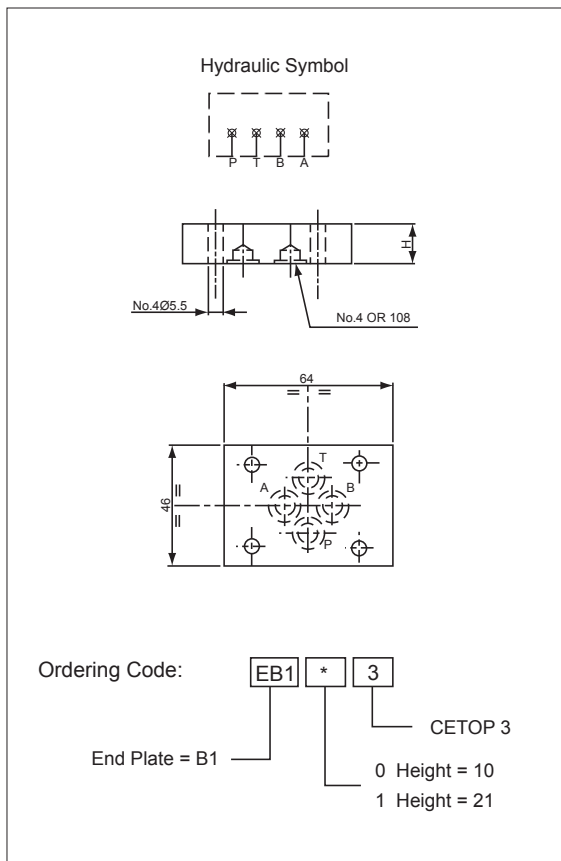
Cetop 3 Hi/Low Subplate

Stock No.	Description	Pressure	AP & A & B Ports	BP Ports	T Port	List Price
ET2032F2F	Hi/Low Subplate	300 BAR	1/2" BSPP	3/8" BSPP	3/4" BSPP	



Cetop 3 Packing Plates

Stock No.	Description	List Price
EB113	Cetop 3 Blanking Plate	
EB30314	Cetop 3 Tapping Block A & B	
EB33314	Cetop 3 Tapping Block P & T	





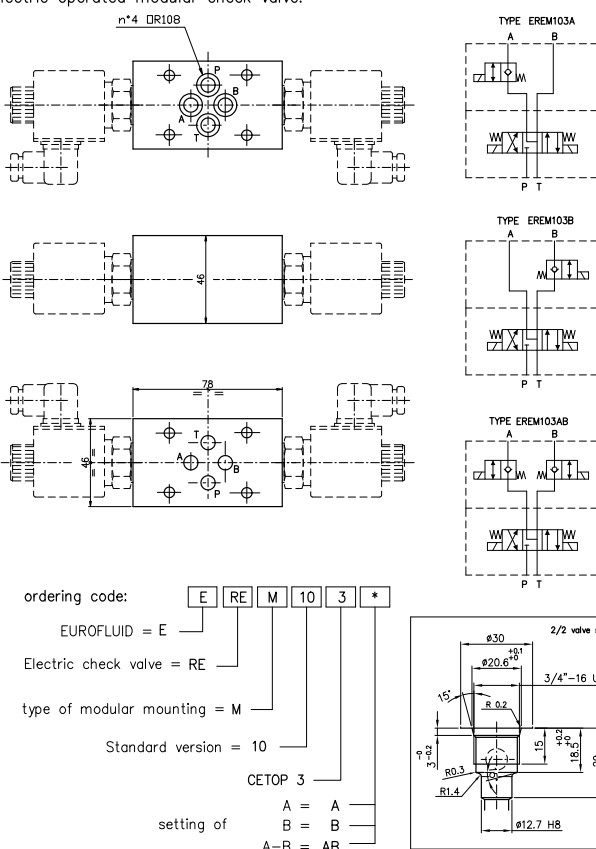
Manifolds

Cetop 3 Packing Plates

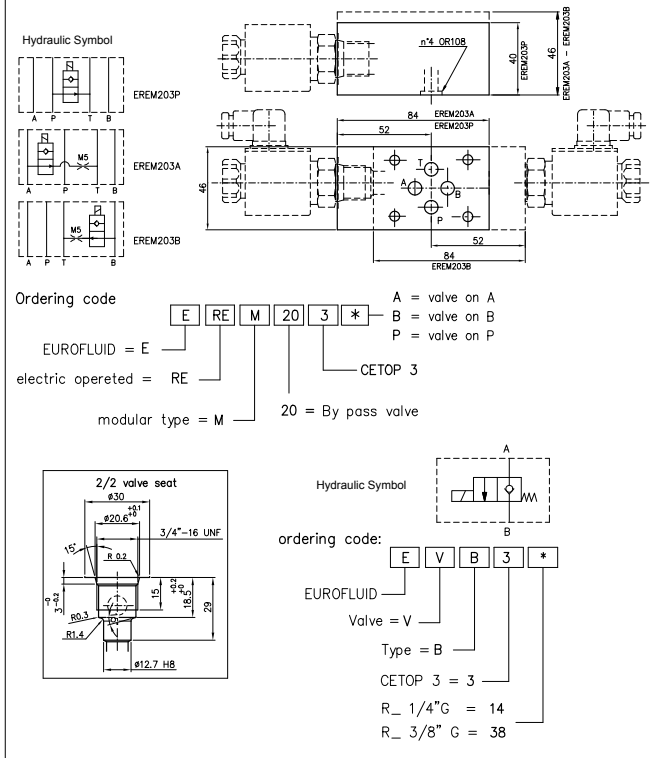
Stock No.	Cavity	Description	List Price
EREM103AB	3/4 - 16 2 Way	Cetop 3 on A & B	
EREM203A	3/4 - 16 2 Way	Cetop 3 on A to T	
EREM203B	3/4 - 16 2 Way	Cetop 3 on B to T	
EREM203P	3/4 - 16 2 Way	Cetop 3 on P to T	

2

Electric operated modular check valve.



Modular electric operated by-pass valve. Weight 1.1 Kg



NOTE: Body only, does not include cartridge or coil.
See power series for cartridge.





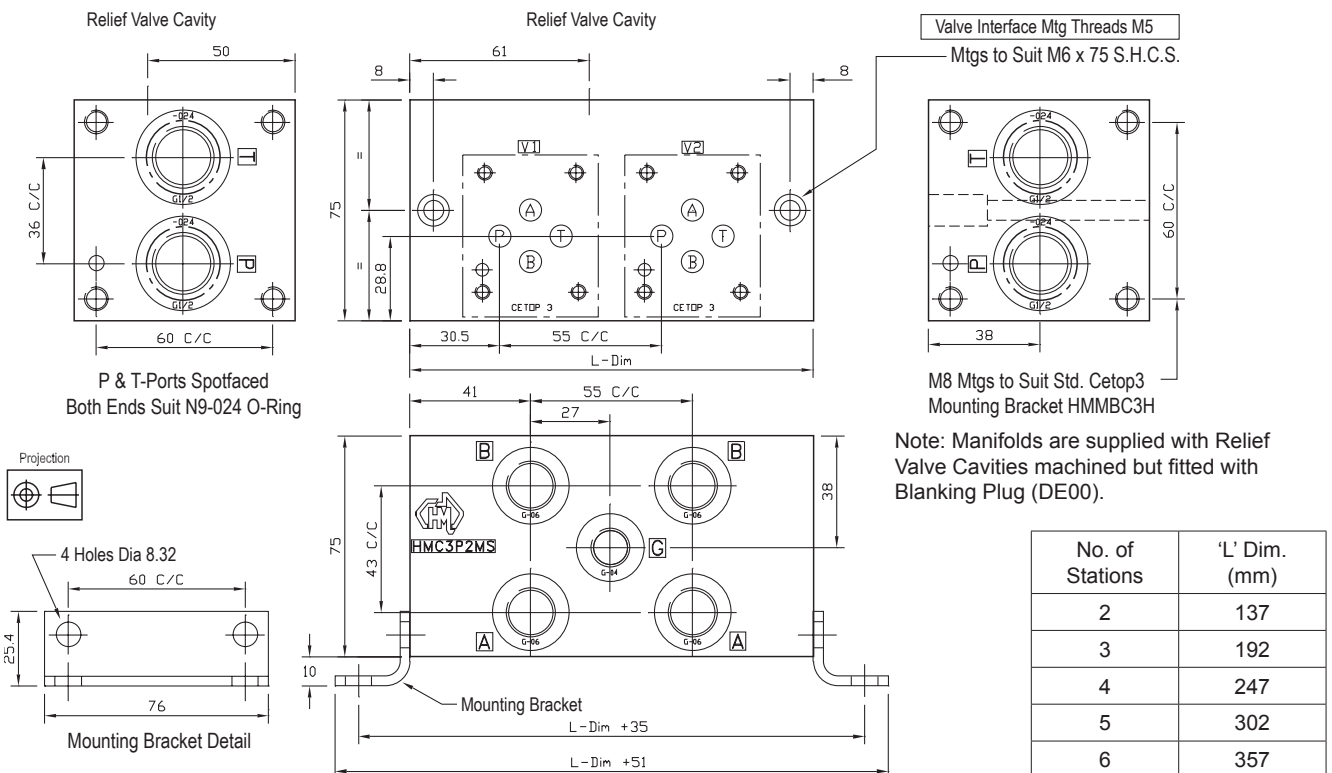
HMA

Cetop 3 Parallel & Series Alloy Manifolds

Parallel Manifold with Relief Cavity

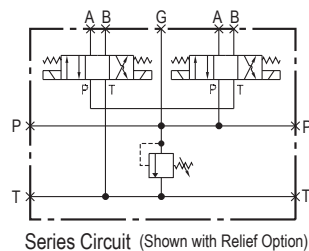
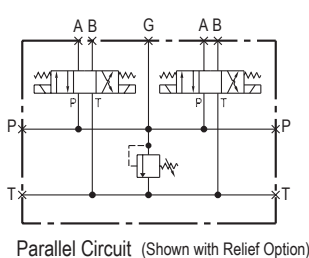
Stock No.	Description	Pressure	A & B Ports	P & T Ports	G Port	List Price
HMC3P2MC	2 Station c/w Relief Cavity	210 BAR	3/8" BSPP	1/2" BSPP	1/4" BSPP	
HMC3P3MC	3 Station c/w Relief Cavity	210 BAR	3/8" BSPP	1/2" BSPP	1/4" BSPP	
HMC3P4MC	4 Station c/w Relief Cavity	210 BAR	3/8" BSPP	1/2" BSPP	1/4" BSPP	
HMC3P5MC	5 Station c/w Relief Cavity	210 BAR	3/8" BSPP	1/2" BSPP	1/4" BSPP	
HMC3P6MC	6 Station c/w Relief Cavity	210 BAR	3/8" BSPP	1/2" BSPP	1/4" BSPP	
DERVA003000	Optional Relief Cartridge	105 - 210 bar adjustment range				
HBP3M	Cetop 3 Blanking Plate Kit (Includes bolts and o.rings.)					

2



Series Manifold with Relief Cavity

Stock No.	Description	Pressure	A & B Ports	P & T Ports	G Port	List Price
HMC3S2MC	2 Station c/w Relief Cavity	210 BAR	3/8" BSPP	1/2" BSPP	1/4" BSPP	
HMC3S3MC	3 Station c/w Relief Cavity	210 BAR	3/8" BSPP	1/2" BSPP	1/4" BSPP	
HMC3S4MC	4 Station c/w Relief Cavity	210 BAR	3/8" BSPP	1/2" BSPP	1/4" BSPP	
HMC3S5MC	5 Station c/w Relief Cavity	210 BAR	3/8" BSPP	1/2" BSPP	1/4" BSPP	
HMC3S6MC	6 Station c/w Relief Cavity	210 BAR	3/8" BSPP	1/2" BSPP	1/4" BSPP	
DERVA003000	Optional Relief Cartridge	105 - 210 bar adjustment range				





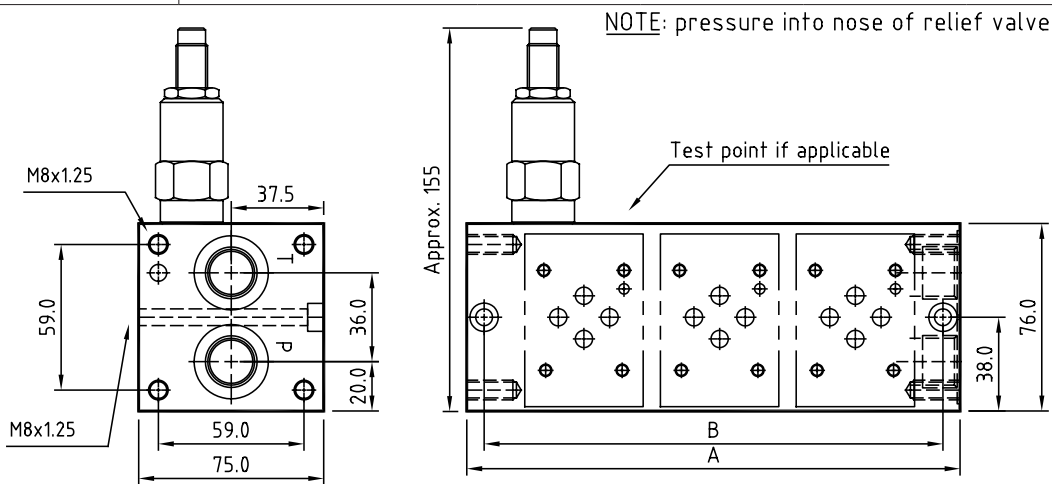
Hyteco

Cetop 3 Parallel & Series Alloy Manifolds

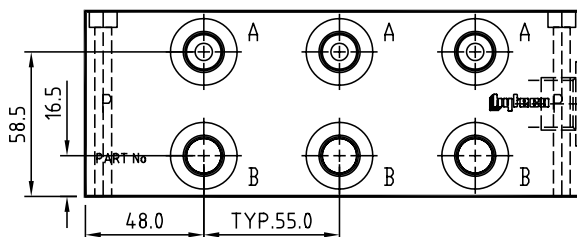
2

Parallel Manifold with Relief Cavity

Stock No.	Description	Pressure	A & B Ports	P & T Ports	G Port	List Price
M3PA2AC	2 Station c/w Relief Cavity	210 BAR	3/8" BSPP	1/2" BSPP	1/4" BSPP	
M3PA3AC	3 Station c/w Relief Cavity	210 BAR	3/8" BSPP	1/2" BSPP	1/4" BSPP	
M3PA4AC	4 Station c/w Relief Cavity	210 BAR	3/8" BSPP	1/2" BSPP	1/4" BSPP	
M3PA5AC	5 Station c/w Relief Cavity	210 BAR	3/8" BSPP	1/2" BSPP	1/4" BSPP	
M3PA6AC	6 Station c/w Relief Cavity	210 BAR	3/8" BSPP	1/2" BSPP	1/4" BSPP	
DERVA003000	Optional Relief Cartridge	105 - 210 bar adjustment range				
EB113	Cetop 3 Blanking Plate Kit (Includes bolts and o'rings.)					



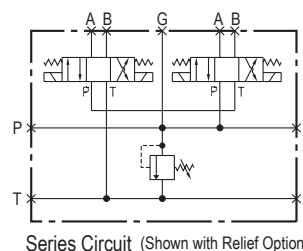
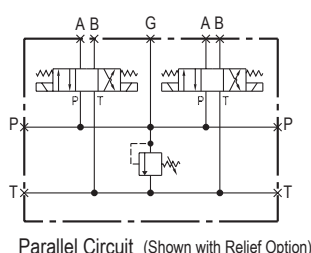
Note: Manifolds are supplied with Relief Valve Cavities machined but fitted with Blanking Plug (DE00).



No. of Stations	Dim. A (mm)	Dim. B (mm)
2	145	131
3	200	186
4	255	241
5	310	296
6	365	351

Series Manifold with Relief Cavity

Stock No.	Description	Pressure	A & B Ports	P & T Ports	G Port	List Price
M3SA2AC	2 Station c/w Relief Cavity	210 BAR	3/8" BSPP	1/2" BSPP	1/4" BSPP	
M3SA3AC	3 Station c/w Relief Cavity	210 BAR	3/8" BSPP	1/2" BSPP	1/4" BSPP	
M3SA4AC	4 Station c/w Relief Cavity	210 BAR	3/8" BSPP	1/2" BSPP	1/4" BSPP	
M3SA5AC	5 Station c/w Relief Cavity	210 BAR	3/8" BSPP	1/2" BSPP	1/4" BSPP	
M3SA6AC	6 Station c/w Relief Cavity	210 BAR	3/8" BSPP	1/2" BSPP	1/4" BSPP	
DERVA003000	Optional Relief Cartridge	105 - 210 bar adjustment range				





LC2

Cetop 5 Solenoid Operated Directional Control Valves

AC - Max. Flow 100 l/min - Max. Operating Pressure 250 bar
Max. Tank Line Pressure: Dynamic = 140 bar - Static = 210 bar
DC - Max. Flow 120 l/min - Max. Operating Pressure 250 bar
Max. Tank Line Pressure: Dynamic = 140 bar - Static = 210 bar

2

Stock No.	Symbol	Description	List Price
LC2A11A**		Single Solenoid - Spring Offset - 2 Position - 4 Way P to A, B to T in Neutral	
LC2A2**		Double Solenoid, Spring Centred - 3 Position - 4 Way P to T, A & B Blocked in Neutral	
LC2B2**		Double Solenoid, Spring Centred P, T, A & B Blocked in Neutral	
LC2C2**		Double Solenoid, Spring Centred P, A & B Open to T in Neutral	
LC2E2**		Double Solenoid, Spring Centred P Blocked, A & B open to T in Neutral	
LC2M2A**		Double Solenoid, No Springs, Detented P to A, B to T in Neutral	

** Substitute for voltage required (eg 12VDC). Note: All valves include standard bolt kit and DIN connectors for each coil.

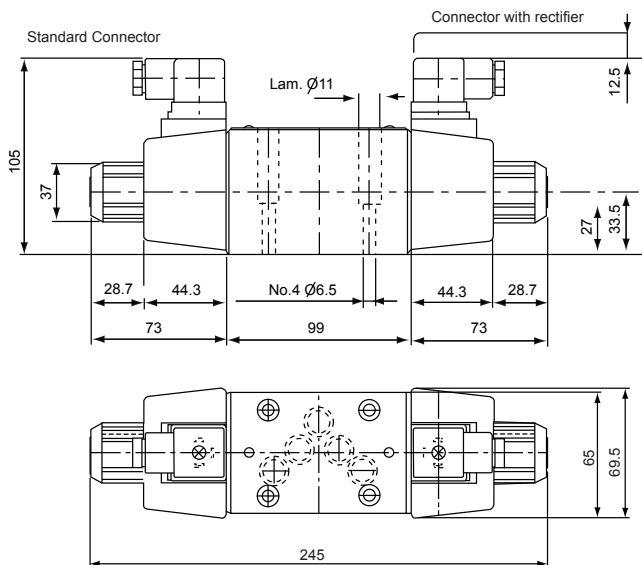
Soft Switching Option

Stock No.	Symbol	Description	List Price
LC2XS****		Double Solenoid Valve c/w 'XS' Soft Switching Max. Flow 80 l/min (eg. LC2XS-A2-12VDC)	

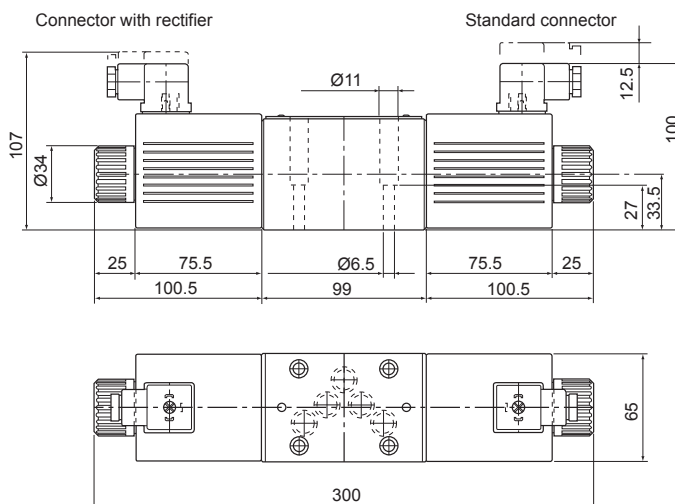
**** Substitute for spool type and voltage required.

Standard Voltages
12V DC
24V DC
207V DC
110V-50Hz AC
240V-50Hz AC

LC2AC



LC2DC





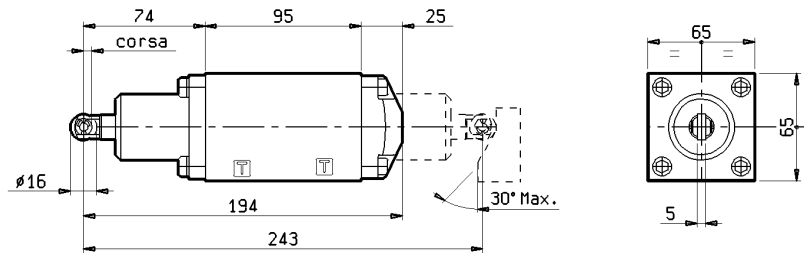
LC2

Cetop 5 Directional Control Valves

Cam Operated - Max. flow 120 l/min, max. pressure 300 bar, max. tank line back pressure 70 bar)

Stock No.	Symbol	Description	List Price
LC2**1C		Spring Offset, single cam operated (eg. LC2A11A1C)	
LC2**2C		No spring, double cam operated (eg. LC2M2A2C)	

** Substitute for spool type. Note: All valves include standard bolt kit.

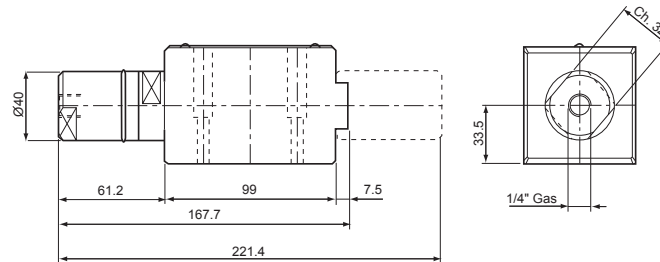


Air/Oil Pilot Operated - (Max. flow 120 l/min, max. pressure 310 bar, max. tank line back press. 200 bar)

Stock No.	Symbol	Description	List Price
LC2**1P		Spring offset, single pilot operated (eg. LC2A11A1P)	
LC2**2P		Spring centred, double pilot operated (eg. LC2A22P)	
LC2**2PD		Spring centred with detents, double pilot operated (eg. LC2A22PD)	

** Substitute for spool type. Note: All valves include standard bolt kit.

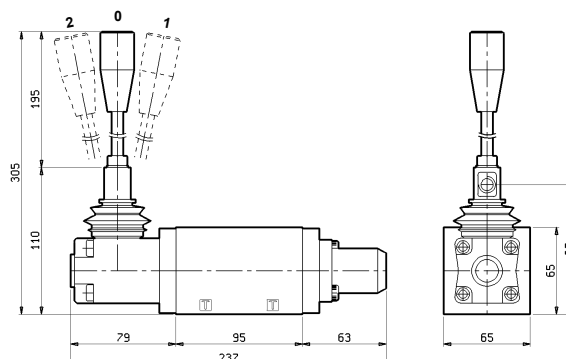
Pilot Pressure: 4 to 200 bar



Lever Operated - Max. flow 120 l/min, max. pressure 300 bar, max. tank line back pressure 100 bar)

Stock No.	Symbol	Description	List Price
LC2L**M		Spring centred, lever operated (eg. LC2LA23M)	
LC2L**F		Detented, lever operated (eg. LC2LA11A2F)	

** Substitute for spool type. Note: All valves include standard bolt kit.



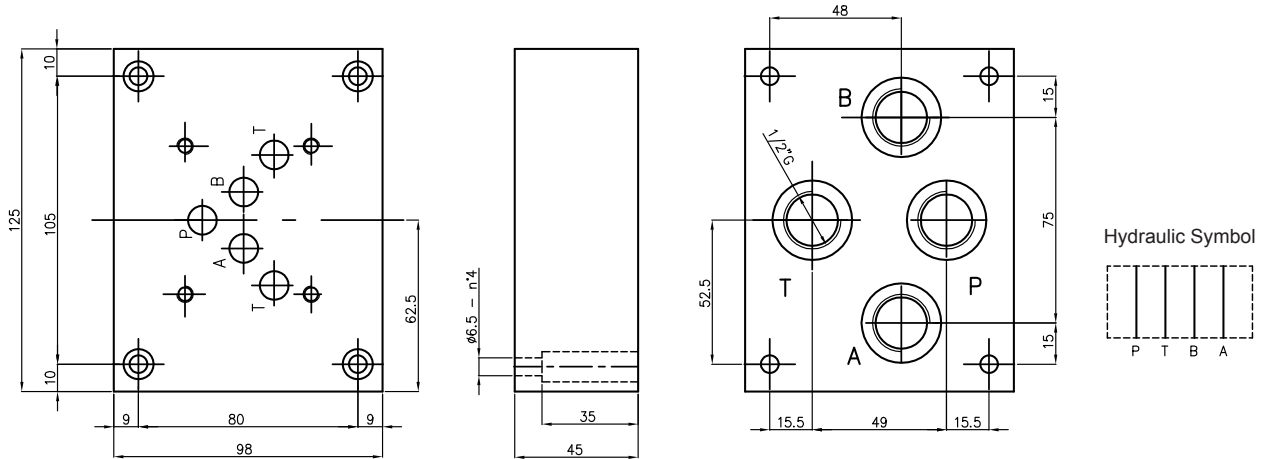


Cetop 5 Base Plates

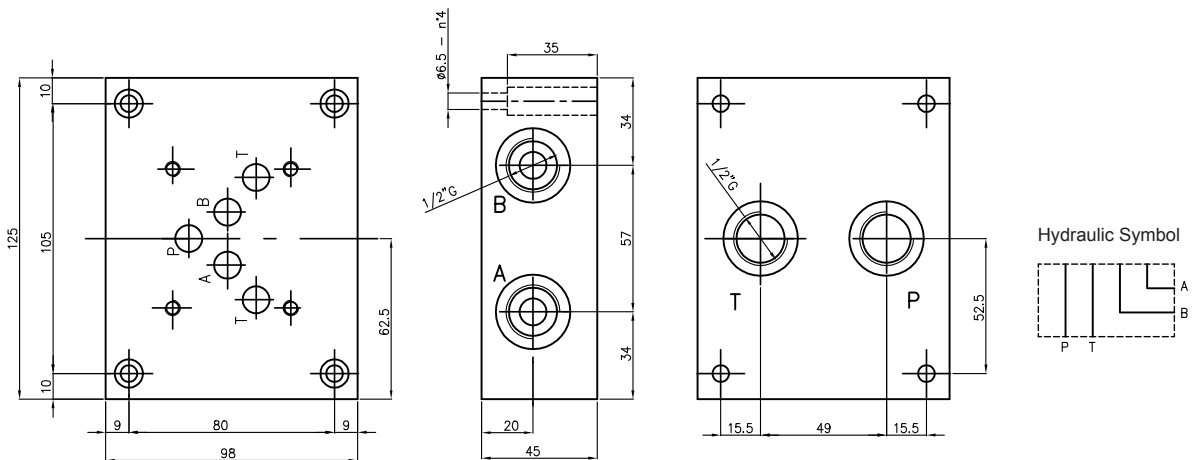
Cetop 5 Subplates

2

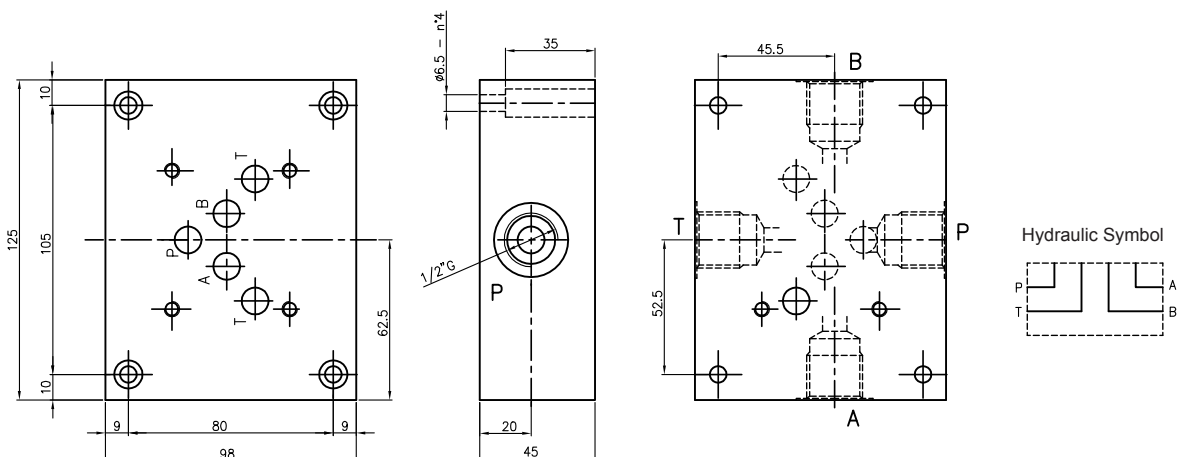
Stock No.	Description	Pressure	A & B Ports	P & T Ports	G Port	List Price
PDM220	A-B-P-T Rear Ports	270 BAR	1/2" BSPP	1/2" BSPP	-	



Stock No.	Description	Pressure	A & B Ports	P & T Ports	G Port	List Price
PDM221	A-B Lateral, P-T Rear	270 BAR	1/2" BSPP	1/2" BSPP	-	



Stock No.	Description	Pressure	A & B Ports	P & T Ports	G Port	List Price
PDM221LAT	A-B-P-T Lateral	270 BAR	1/2" BSPP	1/2" BSPP	-	

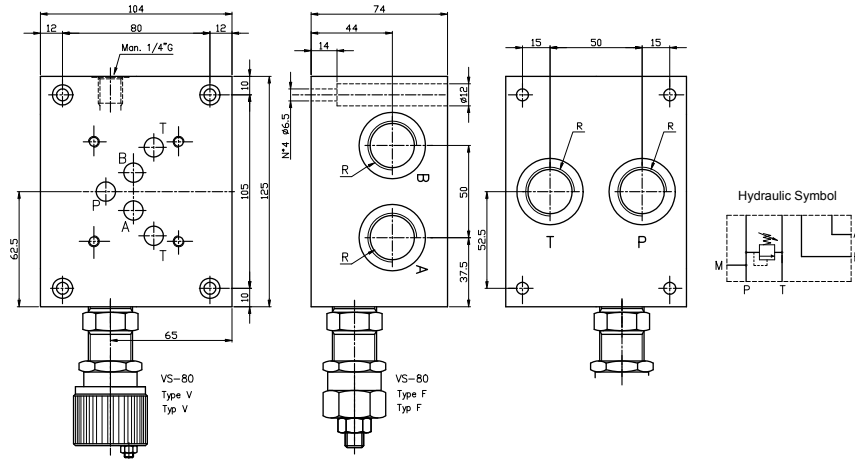


Cetop 5 Base Plates

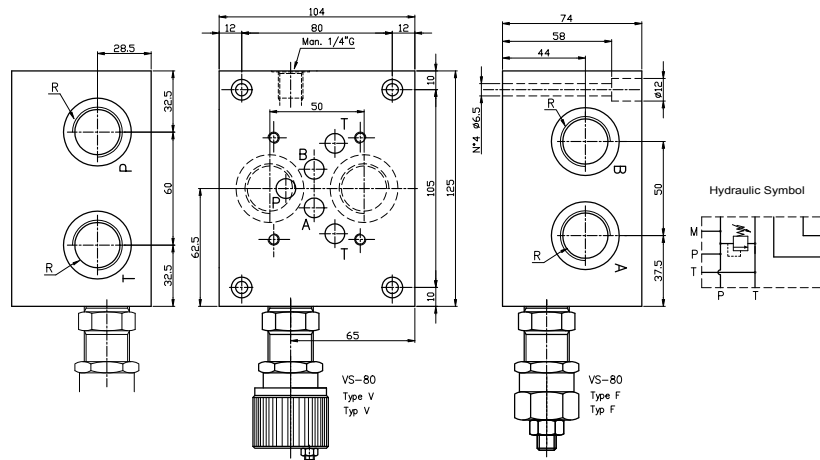
Cetop 5 Subplates

2

Stock No.	Description	Pressure	A & B Ports	P & T Ports	G Port	List Price
PDM2232V	A-B Lateral, P-T Rear c/w Relief	270 BAR	1/2" BSPP	1/2" BSPP	1/4" BSPP	

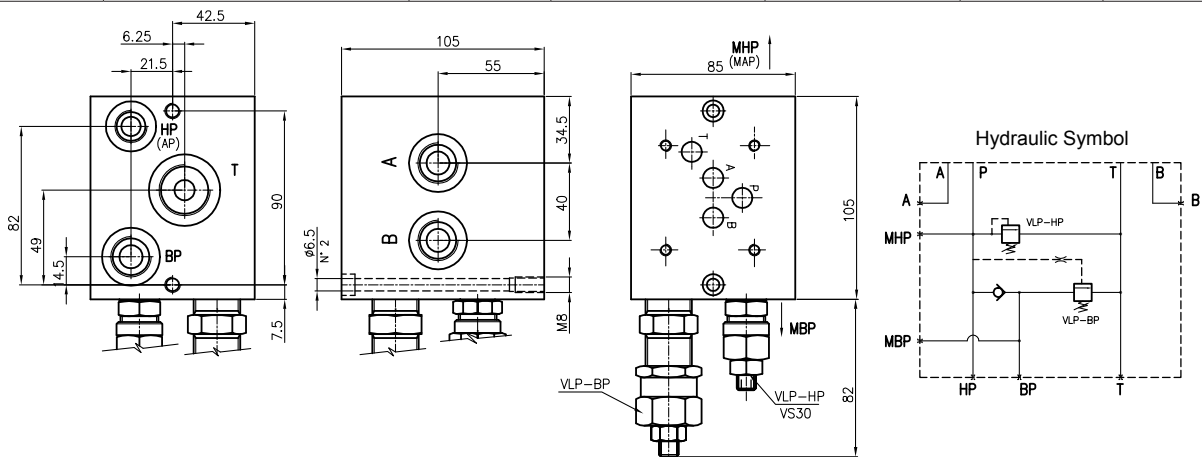


Stock No.	Description	Pressure	A & B Ports	P & T Ports	G Port	List Price
PDM3232V	A-B Lateral, P-T Rear c/w Relief	270 BAR	3/4" BSPP	3/4" BSPP	1/4" BSPP	



Cetop 5 Hi/Low Subplate 50 lpm

Stock No.	Description	Pressure	AP & A & B Ports	BP Port	T Port	List Price
ET2052F2F	Hi/Low Subplate	270 BAR	1/2" BSPP	1/2" BSPP	3/4" BSPP	



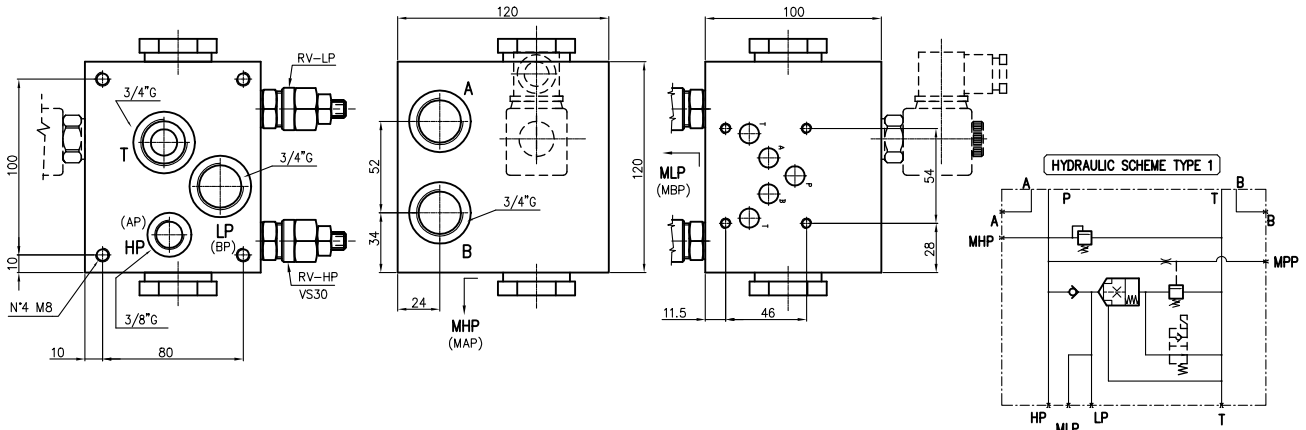


Cetop 5 Base Plates

Cetop 5 Hi/Low Subplate 120 lpm

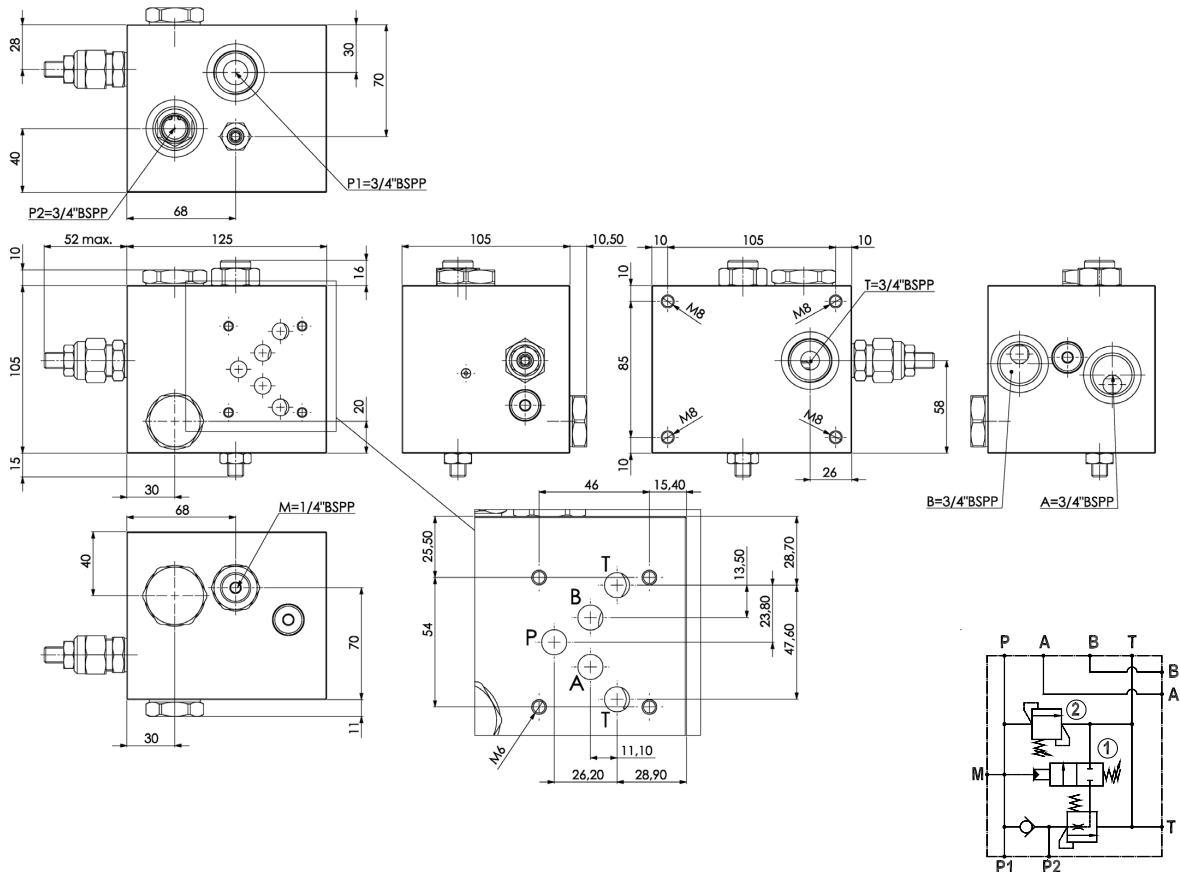
Stock No.	Description	Pressure	AP & A & B Ports	BP Port	T Port	List Price
ET2152F2F	Hi/Low Subplate	270 BAR	3/4" BSPP	3/8" BSPP	3/4" BSPP	

2



Two Pump Unloading Valve - Cetop 5

Stock No.	Description	Maximum Flow	Maximum Pressure	Weight	Body	List Price
FPMSDDL10P342020	Unloading Valve	150 LPM	350 BAR	3.8 Kg	Aluminium	



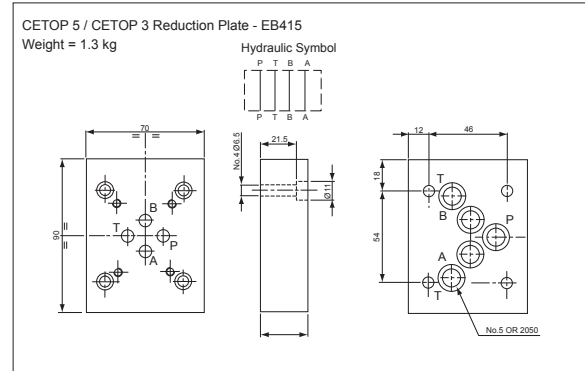
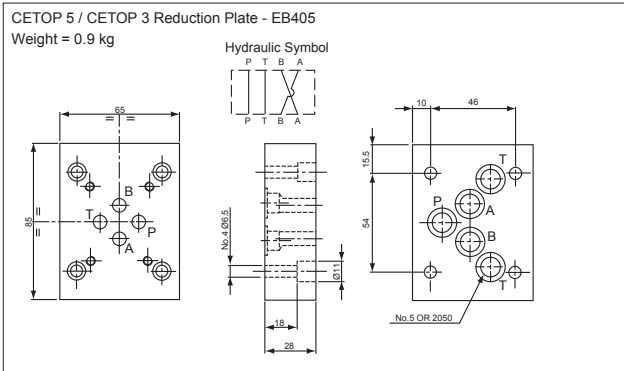


Cetop 5 Base Plates

Cetop 5 Packing Plates

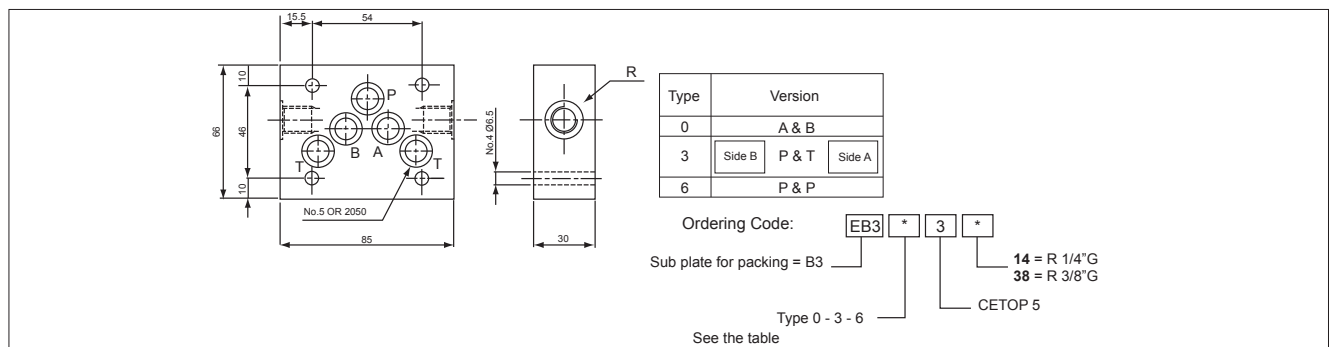
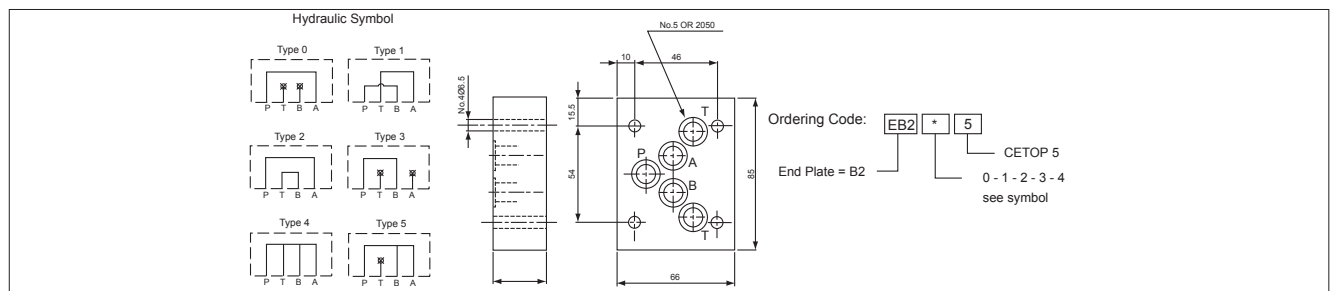
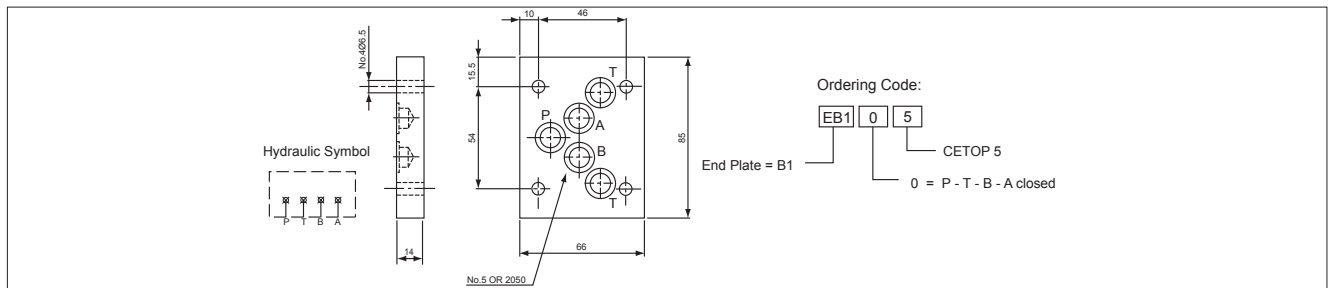
Stock No.	Description	Pressure	A & B Ports	P & T Ports	G Port	List Price
EB405	Cetop 5-3 A-B B-A	270 BAR	-	-	-	
EB415	Cetop 5-3 A-A B-B	270 BAR	-	-	-	

2



Cetop 5 Packing Plates

Stock No.	Description	Pressure	A & B Ports	P & T Ports	G Port	List Price
EB105	Cetop 5 Blanking	270 BAR	-	-	-	
EB30514	Cetop 5 Tapping A & B	270 BAR	1/4" BSPP	-	-	
EB33514	Cetop 5 Tapping P & T	270 BAR	-	1/4" BSPP	-	
EB215	Cetop 5 XOver B-P, A-T	270 BAR	-	-	-	



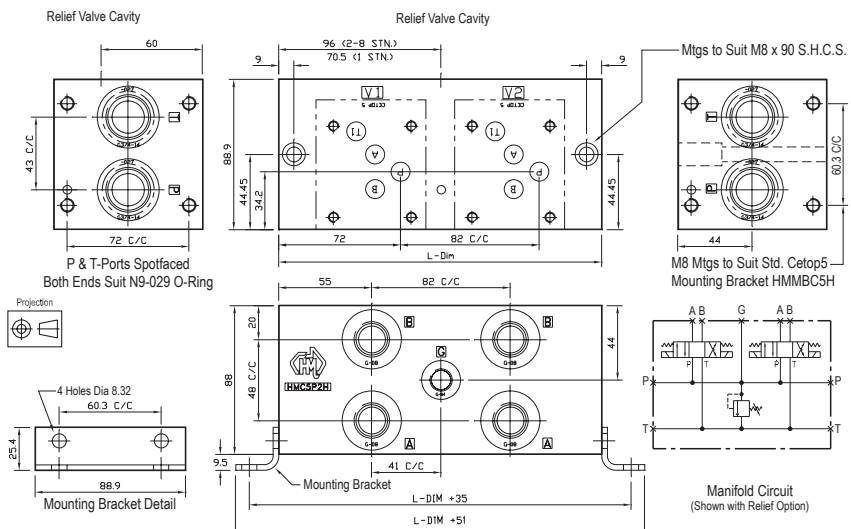


HMA

Cetop 5 Parallel & Series Alloy Manifolds

Parallel Manifold with Relief Cavity

Stock No.	Description	Pressure	A & B Ports	P & T Ports	G Port	List Price
HMC5P2MC	2 Station c/w Relief Cavity	210 BAR	1/2" BSPP	3/4" BSPP	1/4" BSPP	
HMC5P3MC	3 Station c/w Relief Cavity	210 BAR	1/2" BSPP	3/4" BSPP	1/4" BSPP	
HMC5P4MC	4 Station c/w Relief Cavity	210 BAR	1/2" BSPP	3/4" BSPP	1/4" BSPP	
HMC5P5MC	5 Station c/w Relief Cavity	210 BAR	1/2" BSPP	3/4" BSPP	1/4" BSPP	
HMC5P6MC	6 Station c/w Relief Cavity	210 BAR	1/2" BSPP	3/4" BSPP	1/4" BSPP	
DERVP004000	Optional Relief Cartridge	7 - 276 bar adjustment range				
HBPC5M	Cetop 5 Blanking Plate Kit (Includes bolts and o-rings.)					

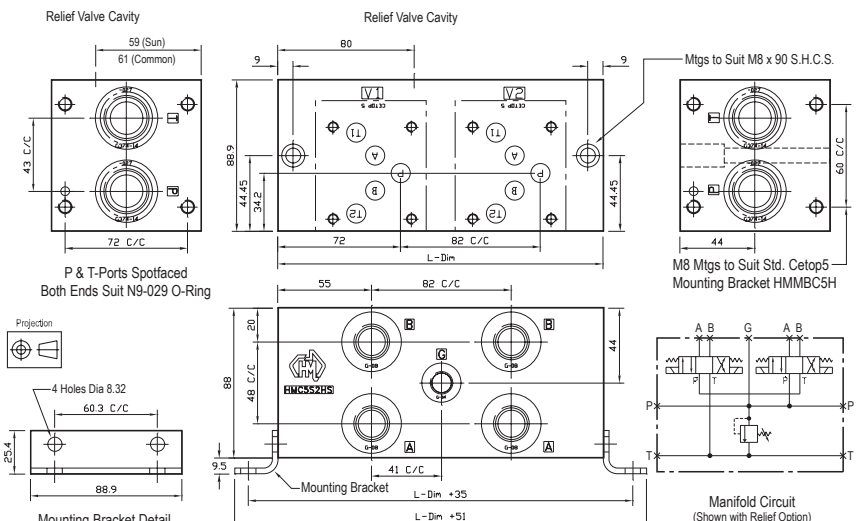


Note: Manifolds are supplied with Relief Valve Cavities machined but fitted with Blanking Plug (DE00).

No. of Stations	'L' Dim. (mm)
2	191
3	273
4	355
5	437
6	519

Series Manifold with Relief Cavity

Stock No.	Description	Pressure	A & B Ports	P & T Ports	G Port	List Price
HMC5S2MC	2 Station c/w Relief Cavity	210 BAR	1/2" BSPP	3/4" BSPP	1/4" BSPP	
HMC5S3MC	3 Station c/w Relief Cavity	210 BAR	1/2" BSPP	3/4" BSPP	1/4" BSPP	
HMC5S4MC	4 Station c/w Relief Cavity	210 BAR	1/2" BSPP	3/4" BSPP	1/4" BSPP	
HMC5S5MC	5 Station c/w Relief Cavity	210 BAR	1/2" BSPP	3/4" BSPP	1/4" BSPP	
HMC5S6MC	6 Station c/w Relief Cavity	210 BAR	1/2" BSPP	3/4" BSPP	1/4" BSPP	
DERVP004000	Optional Relief Cartridge	7 - 276 bar adjustment range				



Note: Manifolds are supplied with Relief Valve Cavities machined but fitted with Blanking Plug (DE00).

No. of Stations	'L' Dim. (mm)
2	191
3	273
4	355
5	437
6	519

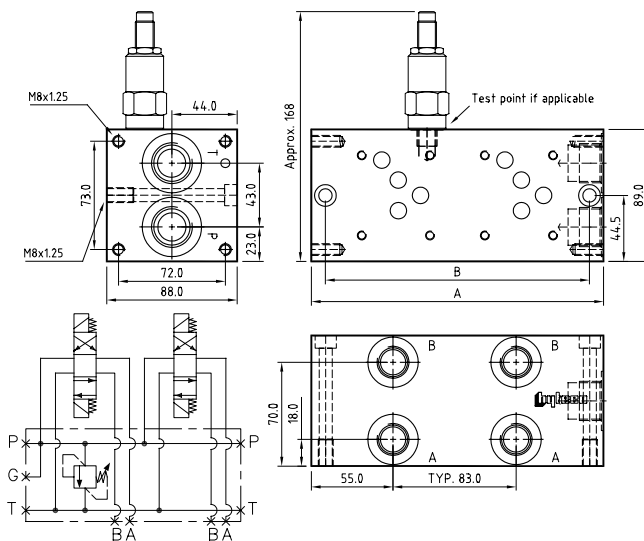


Hyteco

Cetop 5 Parallel & Series Alloy Manifolds

Parallel Manifold with Relief Cavity

Stock No.	Description	Pressure	A & B Ports	P & T Ports	G Port	List Price
M5P2AC	2 Station c/w Relief Cavity	210 BAR	1/2" BSPP	3/4" BSPP	1/4" BSPP	
M5P3AC	3 Station c/w Relief Cavity	210 BAR	1/2" BSPP	3/4" BSPP	1/4" BSPP	
M5P4AC	4 Station c/w Relief Cavity	210 BAR	1/2" BSPP	3/4" BSPP	1/4" BSPP	
M5P5AC	5 Station c/w Relief Cavity	210 BAR	1/2" BSPP	3/4" BSPP	1/4" BSPP	
M5P6AC	6 Station c/w Relief Cavity	210 BAR	1/2" BSPP	3/4" BSPP	1/4" BSPP	
041208038520	Optional Relief Cartridge	70 - 280 bar adjustment range				
EB105	Cetop 5 Blanking Plate Kit (Includes bolts and o-rings.)					

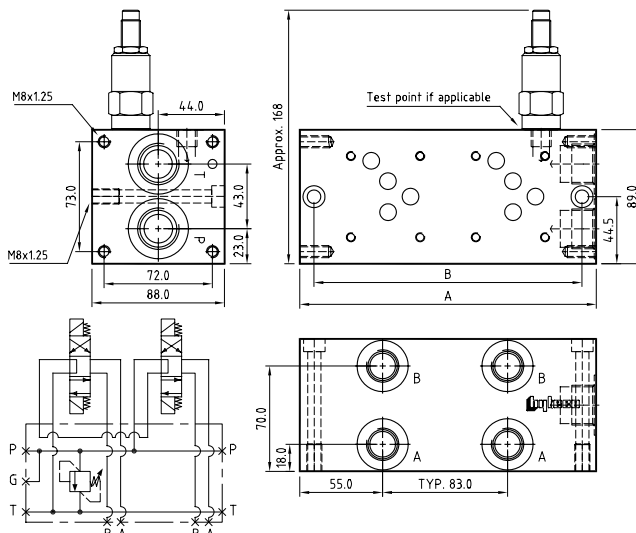


Note: Manifolds are supplied with Relief Valve Cavities machined but fitted with Blanking Plug (DE00).

No. of Stations	Dim. A (mm)	Dim. B (mm)
2	197	178
3	280	261
4	363	344
5	446	427
6	529	510

Series Manifold with Relief Cavity

Stock No.	Description	Pressure	A & B Ports	P & T Ports	G Port	List Price
M5S2AC	2 Station c/w Relief Cavity	210 BAR	1/2" BSPP	3/4" BSPP	1/4" BSPP	
M5S3AC	3 Station c/w Relief Cavity	210 BAR	1/2" BSPP	3/4" BSPP	1/4" BSPP	
M5S4AC	4 Station c/w Relief Cavity	210 BAR	1/2" BSPP	3/4" BSPP	1/4" BSPP	
M5S5AC	5 Station c/w Relief Cavity	210 BAR	1/2" BSPP	3/4" BSPP	1/4" BSPP	
M5S6AC	6 Station c/w Relief Cavity	210 BAR	1/2" BSPP	3/4" BSPP	1/4" BSPP	
041208038520	Optional Relief Cartridge	70 - 280 bar adjustment range				



Note: Manifolds are supplied with Relief Valve Cavities machined but fitted with Blanking Plug (DE00).

No. of Stations	Dim. A (mm)	Dim. B (mm)
2	197	178
3	280	261
4	363	344
5	446	427
6	529	510



LC

Modular (Sandwich) Valves

Stock No.	Symbol	Description	Cetop *	Flow	Pressure	List Price
059014032920		Auto Cycle	CETOP 3	3-35 LPM	Up to 350 BAR	
059014034320			CETOP 5	3-80 LPM	Up to 350 BAR	
EVSM103AB		Shuttle Valve	CETOP 3	40 LPM	310 BAR	
LC1VRAB		Pilot Check A & B	CETOP 3	60 LPM	310 BAR	
LC2VRAB			CETOP 5	90 LPM	310 BAR	
LC1VRA		Pilot Check A	CETOP 3	60 LPM	310 BAR	
LC2VRA			CETOP 5	90 LPM	310 BAR	
LC1VRB		Pilot Check B	CETOP 3	60 LPM	310 BAR	
LC2VRB			CETOP 5	90 LPM	310 BAR	
LC1VRP		'P' Port Check	CETOP 3	40 LPM	310 BAR	
LC2VRP			CETOP 5	60 LPM	310 BAR	
L6136000A20		Overcentre Valve on A	CETOP 3	50 LPM	310 BAR	
L613600AB20		Overcentre Valve on A & B	CETOP 3	50 LPM	310 BAR	
LC1VM1P1		Relief Valve P - T	CETOP 3	50 LPM	310 BAR	
LC2VM1P1			CETOP 5	80 LPM	310 BAR	
LC1VM1A1		Relief Valve A - T	CETOP 3	50 LPM	310 BAR	
LC2VM1A1			CETOP 5	80 LPM	310 BAR	
LC1VM1B1		Relief Valve B - T	CETOP 3	50 LPM	310 BAR	
LC2VM1B1			CETOP 5	80 LPM	310 BAR	
LC1VM1AB1		Relief Valve A & B - T	CETOP 3	50 LPM	310 BAR	
LC2VM1AB1			CETOP 5	90 LPM	310 BAR	
LC1VM2AB		Cross Line Relief A - B	CETOP 3	50 LPM	310 BAR	
LC2VM2AB			CETOP 5	90 LPM	310 BAR	
LC1VF2P		'P' Port Throttle Valve	CETOP 3	50 LPM	310 BAR	
LC2VF2P			CETOP 5	90 LPM	310 BAR	
LC1VF1AB		Flow Control A & B (Meter Out)	CETOP 3	50 LPM	310 BAR	
LC2VF1AB			CETOP 5	90 LPM	310 BAR	
LC1VF2AB		Flow Control A & B (Meter In)	CETOP 3	50 LPM	310 BAR	
LC2VF2AB			CETOP 5	90 LPM	310 BAR	
LC1VF1A		Flow Control A (Meter Out)	CETOP 3	50 LPM	310 BAR	
LC2VF1A			CETOP 5	90 LPM	310 BAR	
LC1VF1B		Flow Control B (Meter Out)	CETOP 3	50 LPM	310 BAR	
LC2VF1B			CETOP 5	90 LPM	310 BAR	
LC1VF2A		Flow Control A (Meter In)	CETOP 3	50 LPM	310 BAR	
LC2VF2A			CETOP 5	90 LPM	310 BAR	
LC1VF2B		Flow Control B (Meter In)	CETOP 3	50 LPM	310 BAR	
LC2VF2B			CETOP 5	90 LPM	310 BAR	
LC1VRPMIP		Pressure Reducing	CETOP 3	40 LPM	310 BAR	
LC2VRPMIP			CETOP 5	80 LPM	310 BAR	
L613102DISB		Sequence Valve	CETOP 3	50 LPM	310 BAR	
LC2VSPME2			CETOP 5	80 LPM	310 BAR	

2



LC35Z

Cetop 7 Solenoid Operated Directional Control Valves

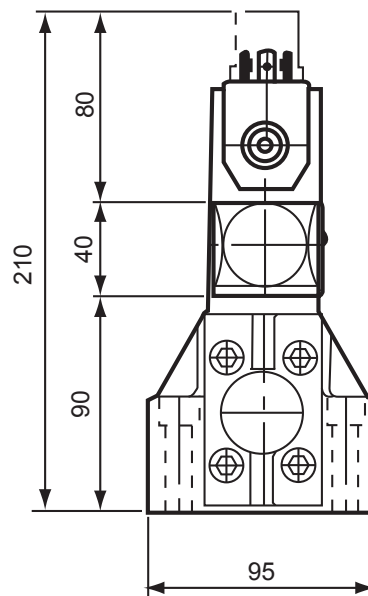
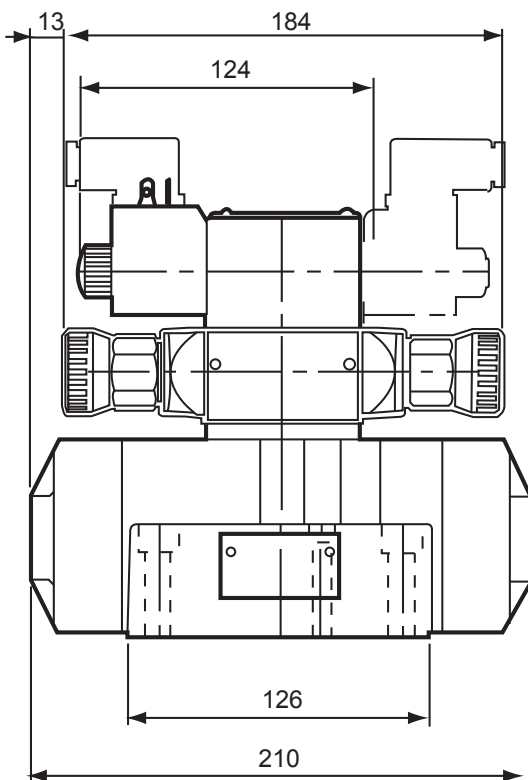
Max. Flow 250 l/min - Max. Operating Pressure 250 bar

Max. Tank Line Pressure: Dynamic = 250 bar - Static = 250 bar

2

Stock No.	Symbol	Description	List Price
LC35A2**		Double Solenoid, Spring Centred - 3 Position - 4 Way P to T, A & B Blocked in Neutral	
LC35B2**		Double Solenoid, Spring Centred P, T, A & B Blocked in Neutral	
LC35C2**		Double Solenoid, Spring Centred P, A & B Open to T in Neutral	
LC35E2**		Double Solenoid, Spring Centred P Blocked, A & B open to T in Neutral	

** Substitute for voltage required (eg 12VDC). Note: All valves include standard bolt kit and DIN connectors for each coil.



LC35-Z	
With 1 Solenoid	8.66 kg
With 2 Solenoids	8.96 kg

Cetop 7 Subplates

Stock No.	Ports	Description	List Price
PDM3520	1" BSPP	A-B-P-T Rear Ports	
PDM3521	1" BSPP	A-B Lateral Ports, P-T Rear Ports	
PDM3523	1" BSPP	A-B Lateral Ports, P-T Rear c/w Relief	
EB107	-	Cetop 7 Blanking Plate	
EB407	-	Cetop 7-5 Adaptor Plate	



VSD08M

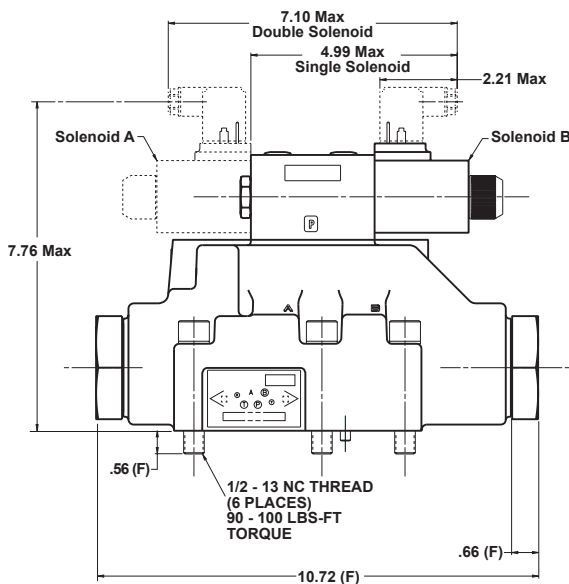
Cetop 8 Solenoid Operated Directional Control Valves

Max. Flow 473 l/min - Max. Operating Pressure 310 bar
 Max. Tank Line Pressure: Dynamic = 210 bar - Static = 210 bar

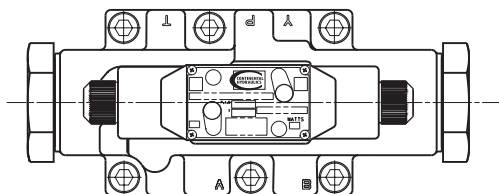
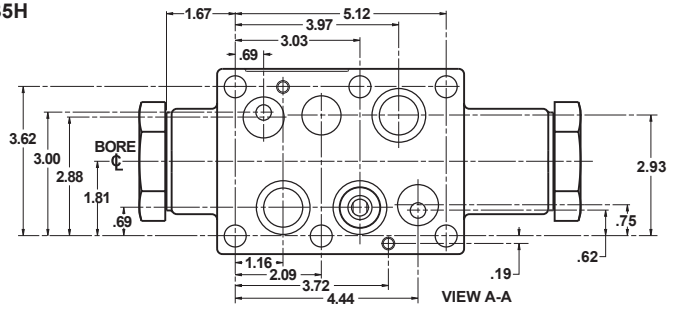
2

Stock No.	Symbol	Description	List Price
VSD08M3LG3L**		Double Solenoid, Spring Centred - 3 Position - 4 Way P to T, A & B Blocked in Neutral	
VSD08M3AG3L**		Double Solenoid, Spring Centred P, T, A & B Blocked in Neutral	
VSD08M3BG3L**		Double Solenoid, Spring Centred P, A & B Open to T in Neutral	
VSD08M3FG3L**		Double Solenoid, Spring Centred P Blocked, A & B open to T in Neutral	

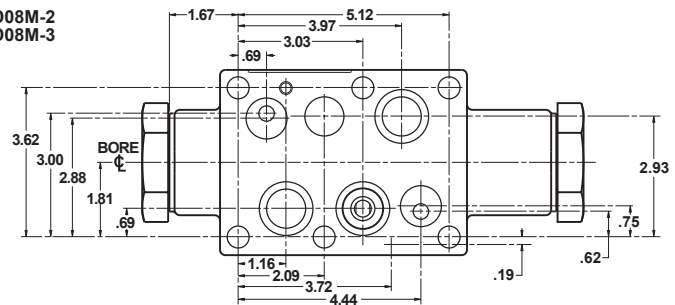
** Substitute for voltage required (eg 12VDC). Note: All valves include standard bolt kit and DIN connectors for each coil.



- B3A
- B3H
- B4
- B4A
- B5A
- B5H



VSD08M-2
VSD08M-3



Cetop 8 Subplates

Stock No.	Ports	Description	List Price
ES8A114LL	1-1/4" BSPP	A-B-P-T Lateral Ports	
ES8A114PLX3F	1-1/4" BSPP	A-B Lateral Ports, P-T Rear Ports c/w Relief	
EB108	-	Cetop 8 Blanking Plate	
EB408	-	Cetop 8-7 Adaptor Plate	





VS Series Selector Valves

Solenoid Operated 3 Port Selector Valves

Stock No.	Symbol	Description	Port	Pressure	Flow	List Price
VS70A12DC		3 Port Selector	1/4" BSPP	250 BAR	25 LPM	
VS70A24DC		3 Port Selector	1/4" BSPP	250 BAR	25 LPM	
VS80A12DC		3 Port Selector	3/8" BSPP	250 BAR	50 LPM	
VS80A24DC		3 Port Selector	3/8" BSPP	250 BAR	50 LPM	
VS80D12DC		3 Port Selector	3/8" BSPP	250 BAR	50 LPM	
VS80DA24DC		3 Port Selector	3/8" BSPP	250 BAR	50 LPM	
VS100A12DC		3 Port Selector	1/2" BSPP	250 BAR	90 LPM	
VS100A24DC		3 Port Selector	1/2" BSPP	250 BAR	90 LPM	
VS105A12DC		3 Port Selector	3/4" BSPP	250 BAR	100 LPM	
VS105A24DC		3 Port Selector	3/4" BSPP	250 BAR	100 LPM	



3 Port Selector



6 Port Selector

Solenoid Operated 6 Port Selector Valves

Stock No.	Symbol	Description	Port	Pressure	Flow	List Price
VS12012DC		6 Port Selector	1/4" BSPP	210 BAR	25 LPM	
VS12024DC		6 Port Selector	1/4" BSPP	210 BAR	25 LPM	
VS15012DC		6 Port Selector	3/8" BSPP	250 BAR	50 LPM	
VS15024DC		6 Port Selector	3/8" BSPP	250 BAR	50 LPM	
VS15212DC		6 Port Selector	1/2" BSPP	250 BAR	50 LPM	
VS15224DC		6 Port Selector	1/2" BSPP	250 BAR	50 LPM	
VS240F12DC		6 Port Selector	3/8" BSPP	250 BAR	50 LPM	
VS240F24DC		6 Port Selector	3/8" BSPP	250 BAR	50 LPM	
VS280F12DC		6 Port Selector	1/2" BSPP	250 BAR	90 LPM	
VS280F12DC		6 Port Selector	1/2" BSPP	250 BAR	90 LPM	
VS30012DC		6 Port Selector	1/2" BSPP	250 BAR	90 LPM	
VS30024DC		6 Port Selector	1/2" BSPP	250 BAR	90 LPM	
VS30512DC		6 Port Selector	3/4" BSPP	250 BAR	100 LPM	
VS30524DC		6 Port Selector	3/4" BSPP	250 BAR	100 LPM	
VS40012DC		6 Port Selector	1" BSPP	310 BAR	220 LPM	
VS40024DC		6 Port Selector	1" BSPP	310 BAR	220 LPM	



VS400 Selector

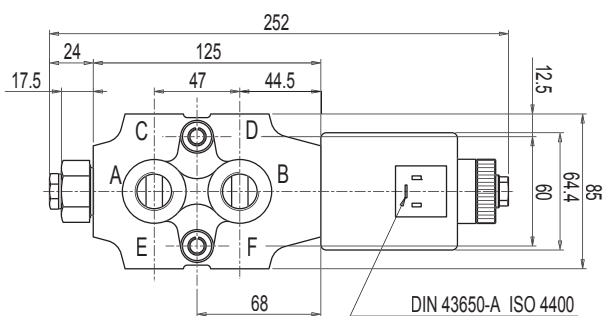


hydro
control

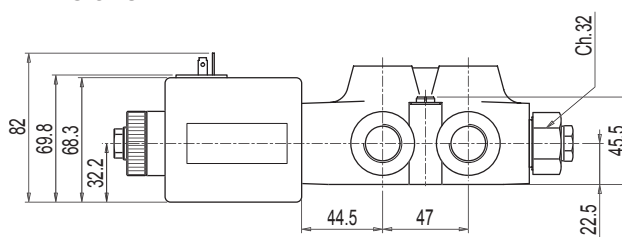
HCS Series Selector Valves

Solenoid Operated 6 Port Selector Valves

Stock No.	Symbol	Description	Port	Pressure	Flow	List Price
HCSVE08612		6 Port Selector	1/2" BSPP	160 BAR	60 LPM	
HCSVE08624		6 Port Selector	1/2" BSPP	160 BAR	60 LPM	



DIMENSIONS



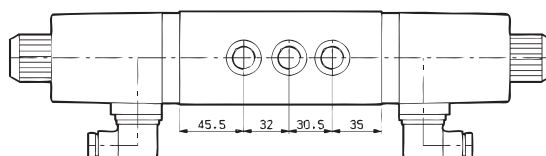
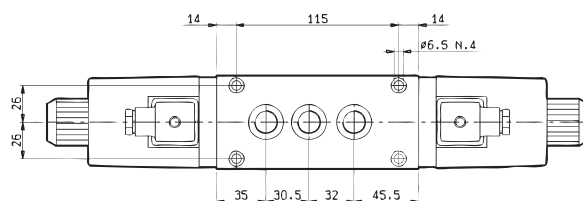
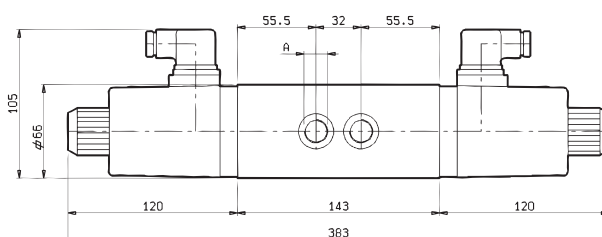
No Drain Available

VS Series Selector Valves



Solenoid Operated 8 Port Selector Valves

Stock No.	Symbol	Description	Port	Pressure	Flow	List Price
VS50112DC		8 Port Selector	1/2" BSPP	250 BAR	60 LPM	
VS50124DC		8 Port Selector	1/2" BSPP	250 BAR	60 LPM	



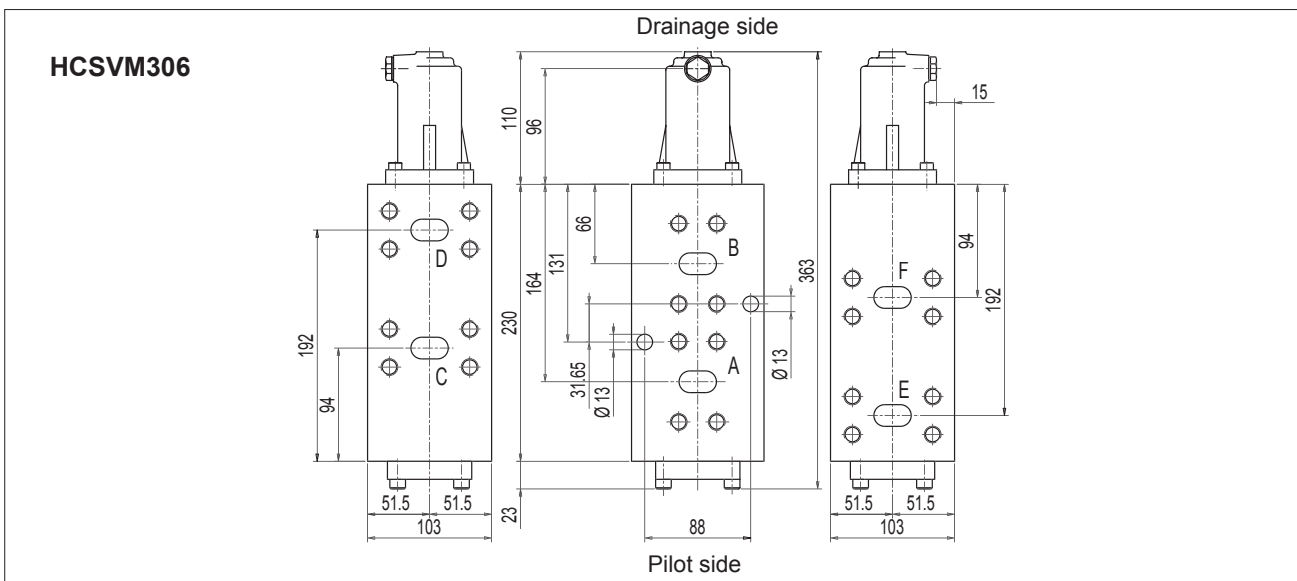
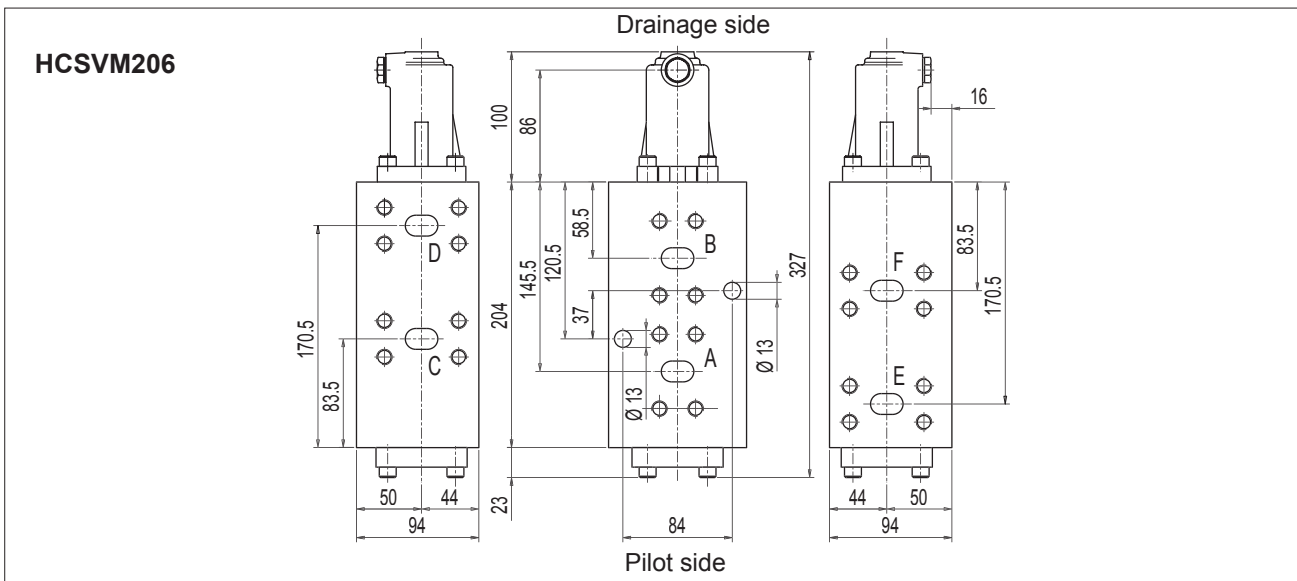


HC SVM Series Selector Valves

Hydraulic Pilot 6 Port Selector Valves

Stock No.	Symbol	Description	Port	Pressure	Flow	List Price
HCSVM206		6 Port Selector	1" Code 62	350 BAR	250 LPM	
HCSVM306		6 Port Selector	1.25" Code 62	350 BAR	350 LPM	

2

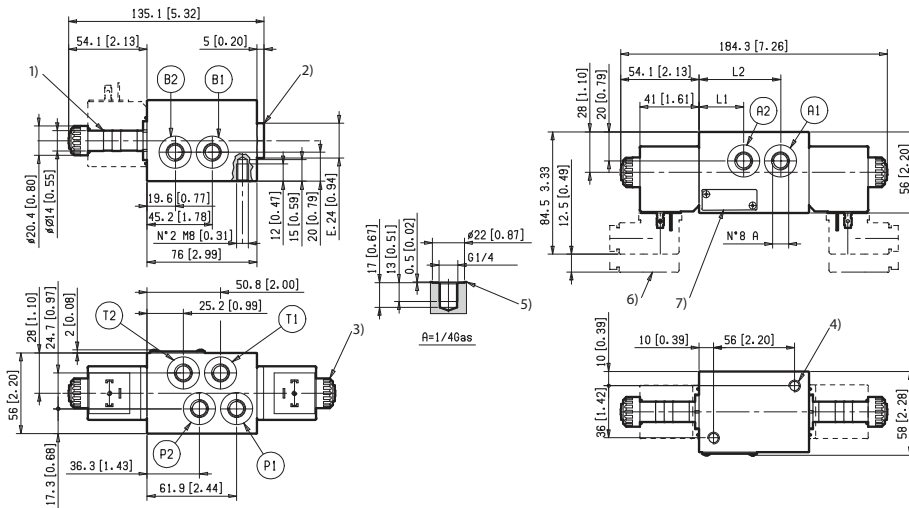




L765 Series Selector Valves

Solenoid Operated 8 Way 2 Position Pattern Changer

Stock No.	Symbol	Description	Port	Pressure	Flow	List Price
L765210BY10B		8 Port Selector 12 V	1/4" BSPP	210 BAR	10 LPM	
L765210BY10C		8 Port Selector 24 V	1/4" BSPP	210 BAR	10 LPM	
L765210CY10B		8 Port Selector 12 V	1/4" BSPP	210 BAR	10 LPM	

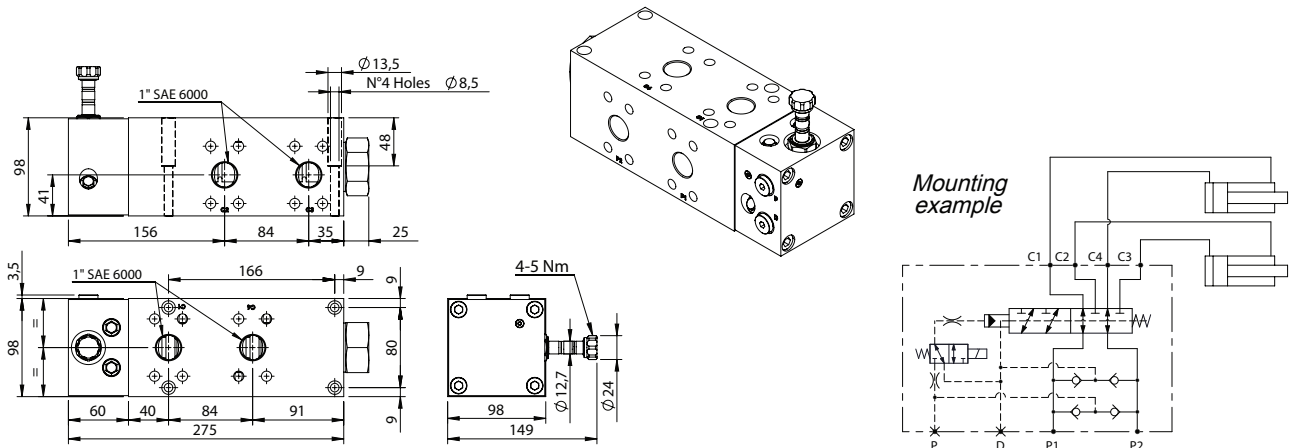


ELFB Series Selector Valves



Solenoid Operated 6 Port Selector Valves

Stock No.	Symbol	Description	Port	Pressure	Flow	List Price
ELFB400A**		6 Port Selector	1" Code 62	420 BAR	400 LPM	
ELFB400B**		6 Port Selector	1" Code 62	420 BAR	400 LPM	



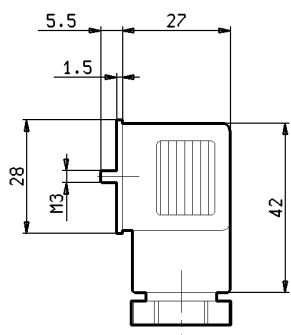


DIN Electrical Connectors

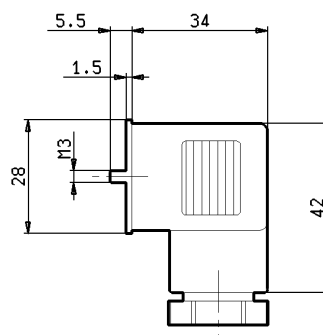
2

Stock No.	Description	List Price
18209N	Standard Connector - Black	
18209G	Standard Connector - Grey	
32200010	Standard Connector - Miniature	
182L0912VDC	Connector with LED Light - 12VDC	
182L0924VDC	Connector with LED Light - 24VDC	
182L09110VAC	Connector with LED Light - 110VAC	
182L09220VAC	Connector with LED Light - 220VAC	
11209NGIRAD	Rectified Connector - Black	
11209GGIRAD	Rectified Connector - Grey	

Standard / LED Connector



Rectified Connector



Standard Bolt Kits

Stock No.	Description	Fits Valve Type	Size	List Price
LC04BK0	Bolt Kit	Cetop 2	M5 x 25mm	
LC1BK0	Bolt Kit	Cetop 3	M5 x 30mm	
LC1BK1	Bolt Kit	Cetop 3	M5 x 70mm	
LC1BK2	Bolt Kit	Cetop 3	M5 x 110mm	
LC2BK0	Bolt Kit	Cetop 5	M6 x 35mm	
LC2BK1	Bolt Kit	Cetop 5	M6 x 80mm	
LC2BK2	Bolt Kit	Cetop 5	M6 x 125mm	

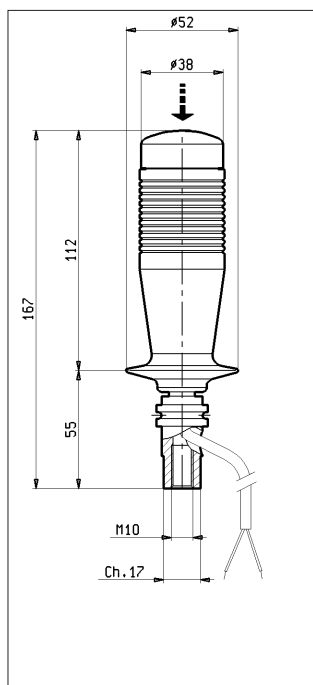


Cobra

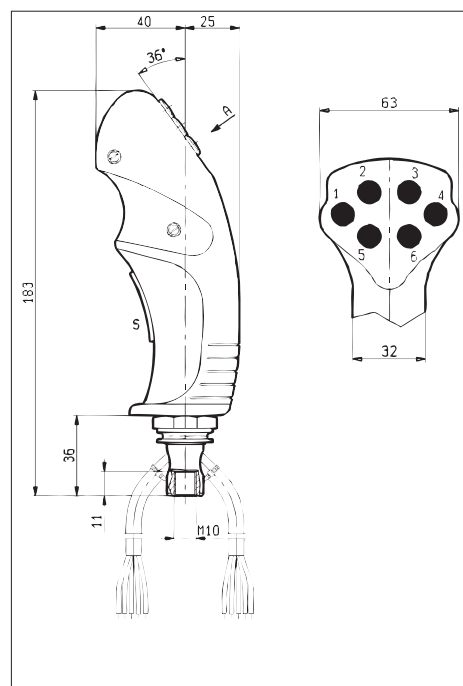
2

Stock No.	Switches	Button Type	Description	List Price
622930	One	Push Button	Single Switch - Vertical - Encapsulated	
LV-PCED-1	One	Push Button	Single Switch - Face - Push Button	
LC-PCED-2	Two	Push Button	Twin Switches - Face - Push Button	
LC-PCED-4	Four	Push Button	Four Switches - Face - Push Button	
LV-PCED-6	Six	Push Button	Six Switches - Face - Bush Button	

622930



LV-PCED-6



Code	LV - PCED - 1	Code	LV - PCED - 2	Code	LV - PCED - 4	Code	LV - PCED - 6